

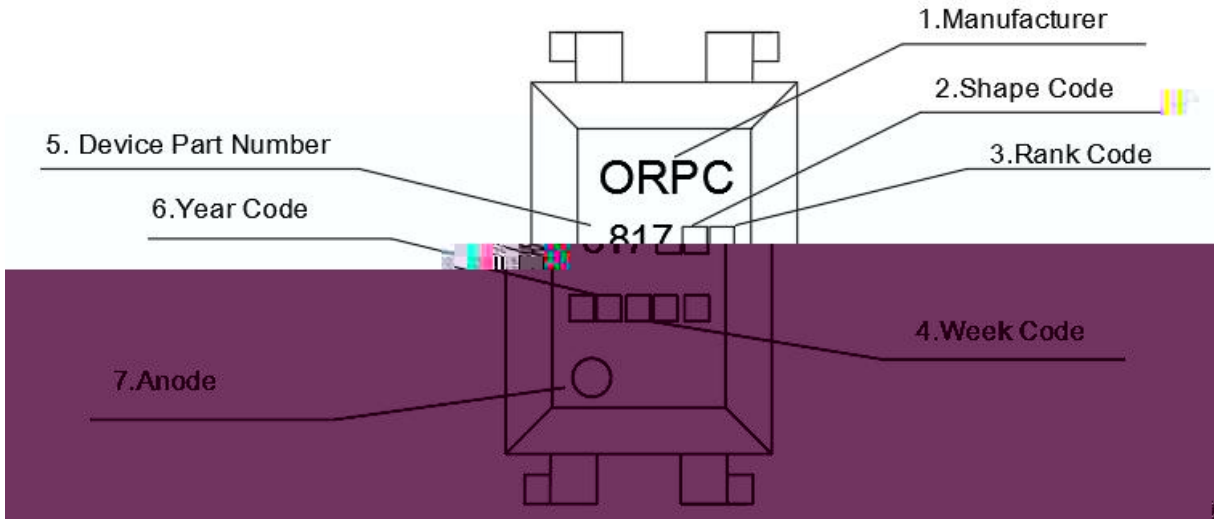


Shenzhen Orient Components Co., Ltd

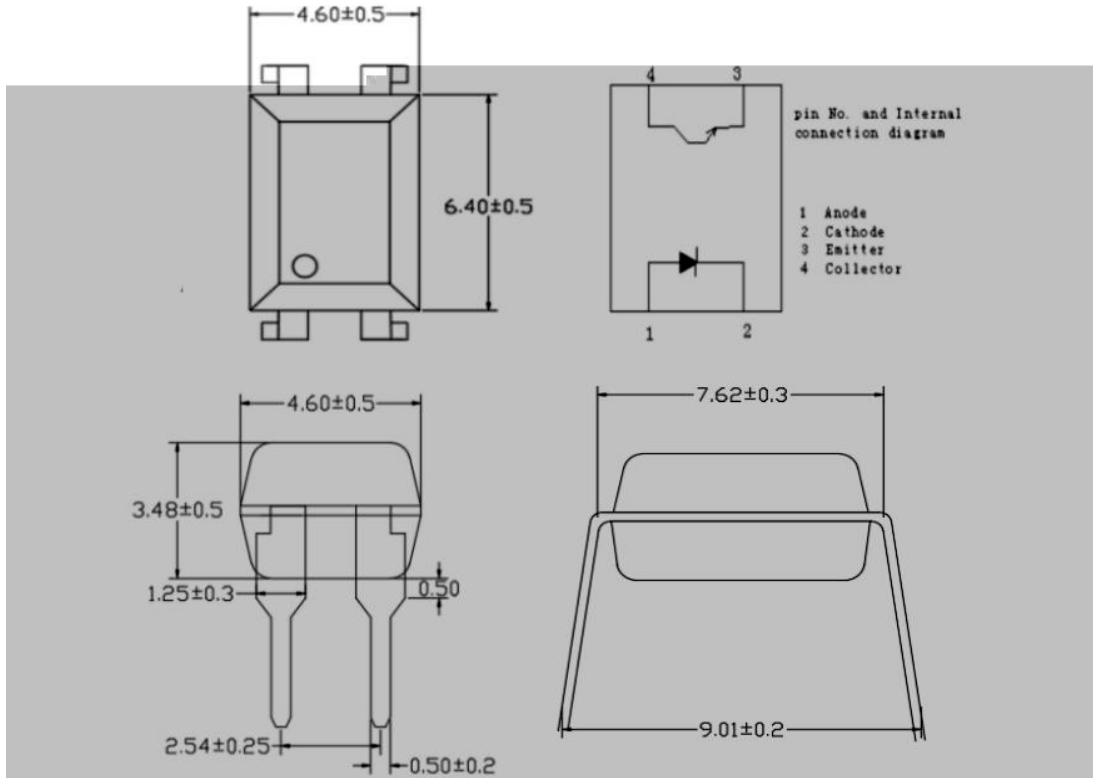


5. E -O a C a a (Ta=25)

Pa a		S b	C	M	T .*	Ma	U
I							
O							
T a C a a							



(1) ORPC-817



(2) ORPC-817M

