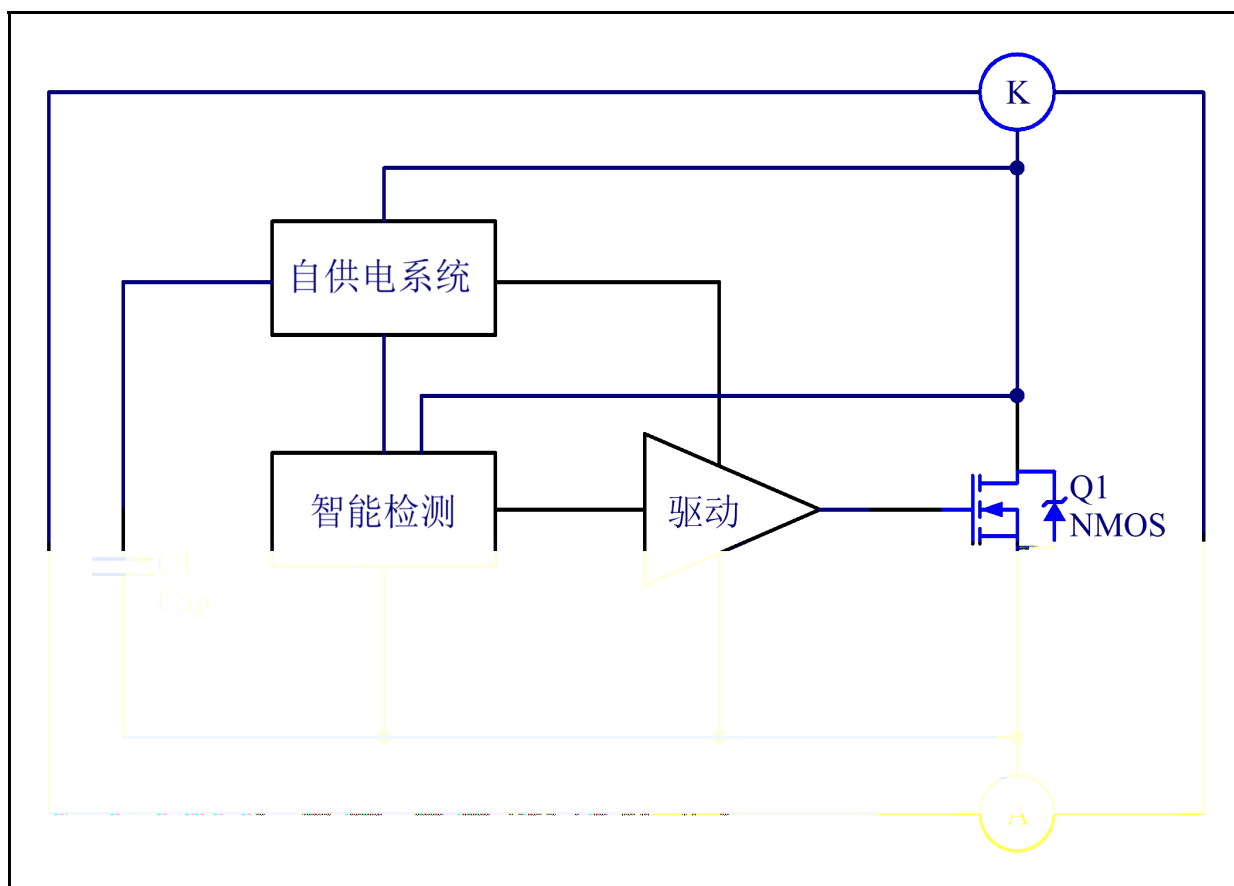


DK5V60R20S	85-265VAC	9V, 2.4A



&						
NMOS						

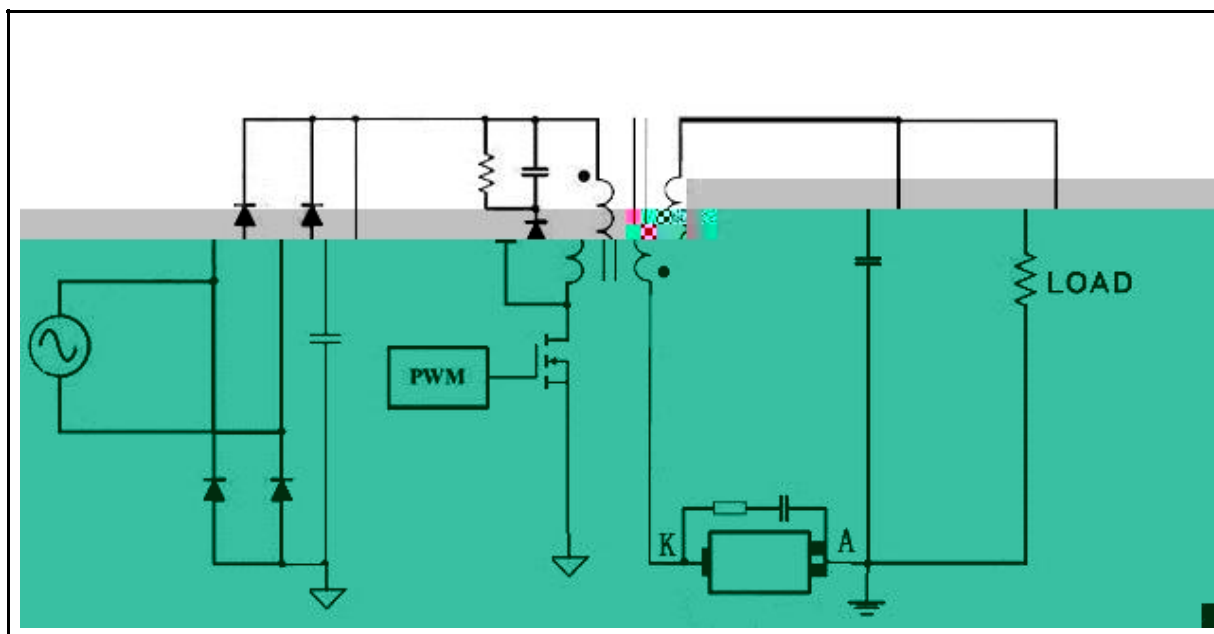
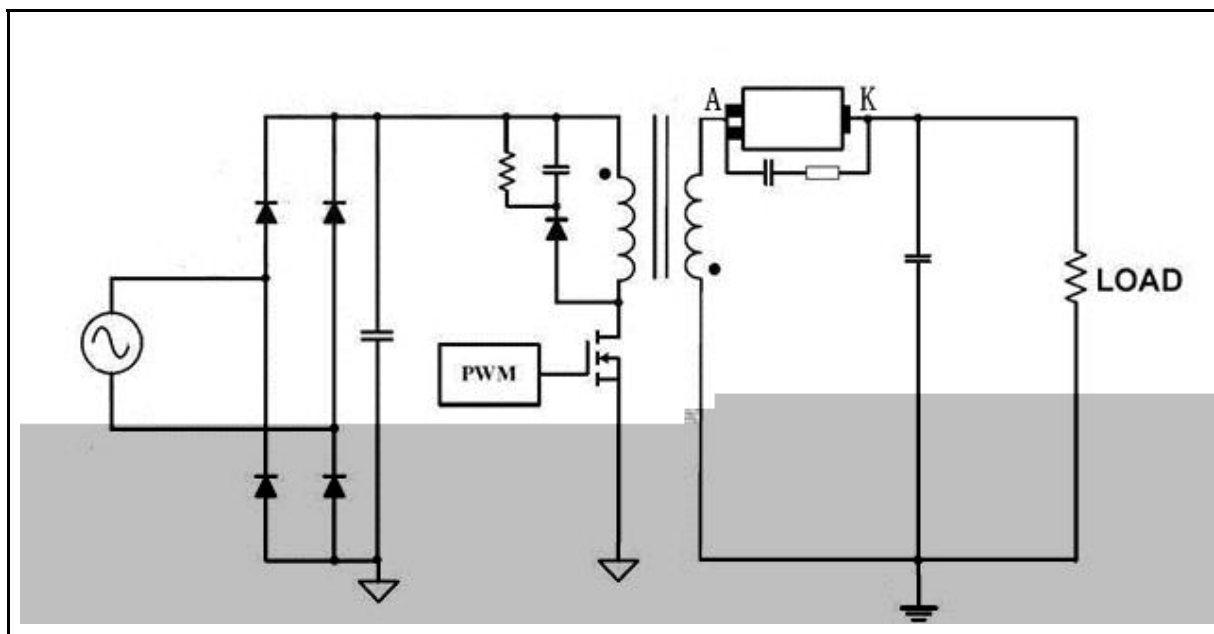
NMOS

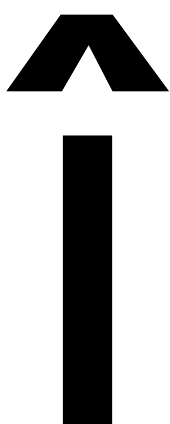
RC

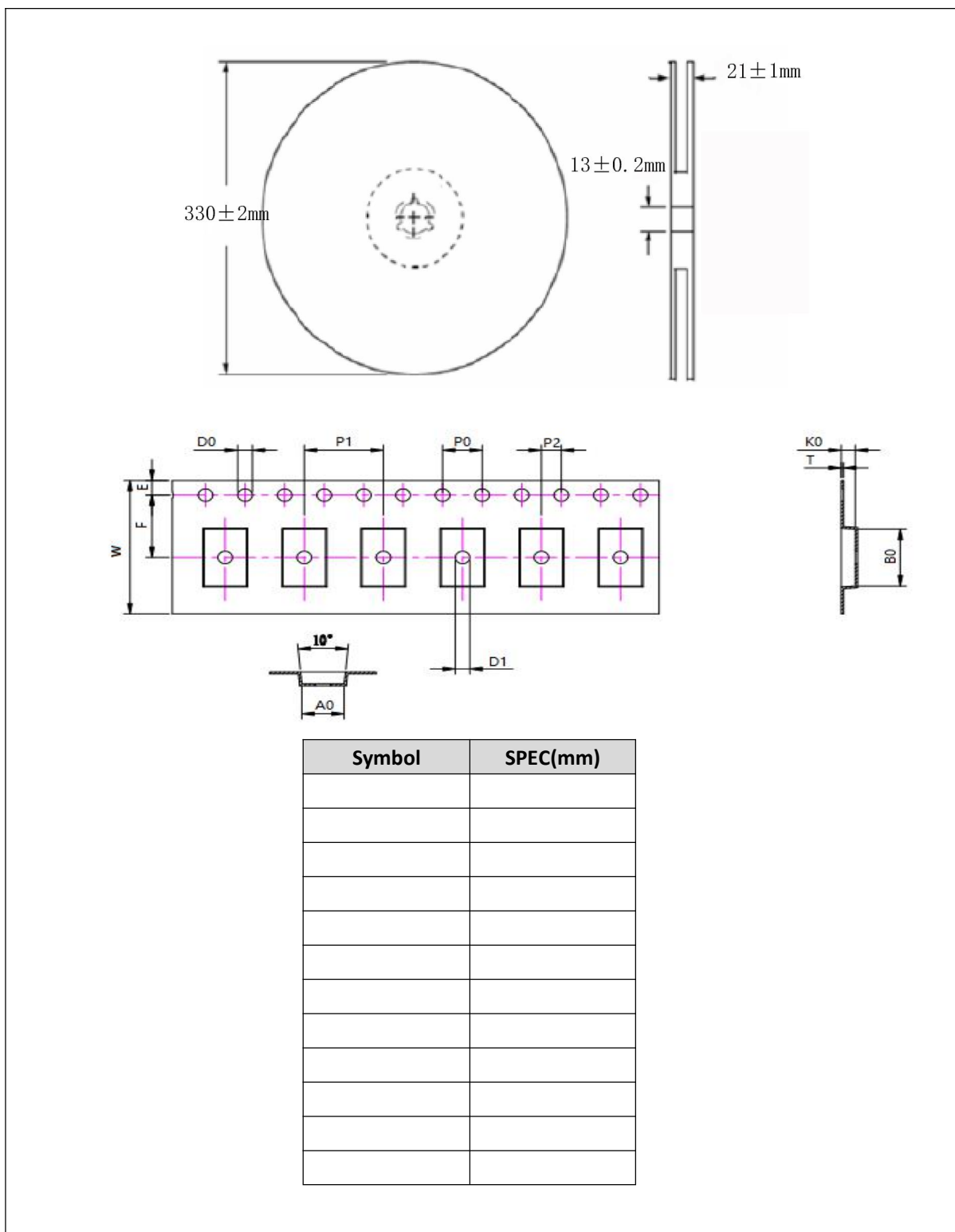
NMOS

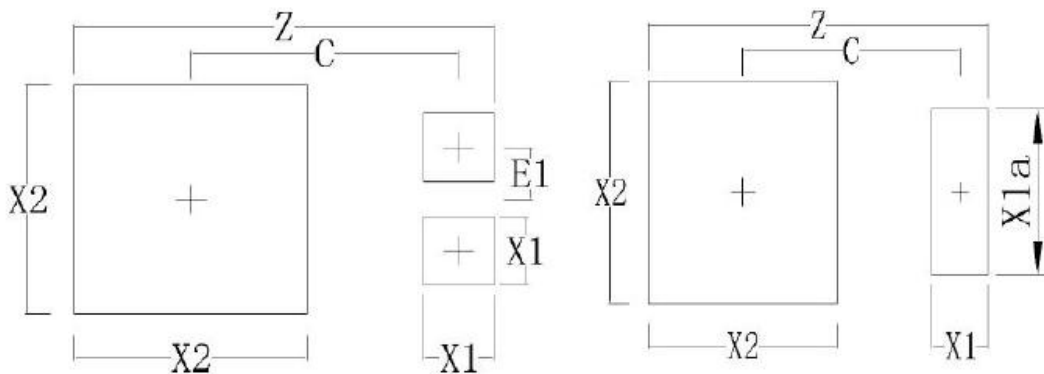
●

●









Symbol	Dimensions In Millimeters

 <p>WARNING! ESD SENSITIVE DEVICE</p>	<p>ESD</p>
---	------------

-
-
-
-
-
-
-

-