

MG150HF12TLC1

IGBT Modules

VCES
IC

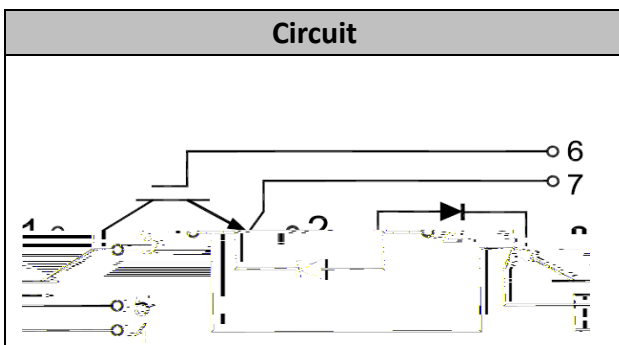
Applications

-
-
-
-

Features

-
-
-
-
-
-

°C



● IGBT

Absolute Maximum Ratings

Parameter	Symbol	Conditions	Value	Unit
		°C		
		°C		
		°C	±	
		°C		
		°C		



MG150HF12TLC1



Characteristic values

Parameter	Symbol	Conditions	Value			Unit
			Min.	Typ.	Max.	
		°C				
		°C				
		°C				



MG150HF12TLC1



● Diode

Absolute Maximum Ratings

Parameter	Symbol	Conditions	Value	Unit
		°C		



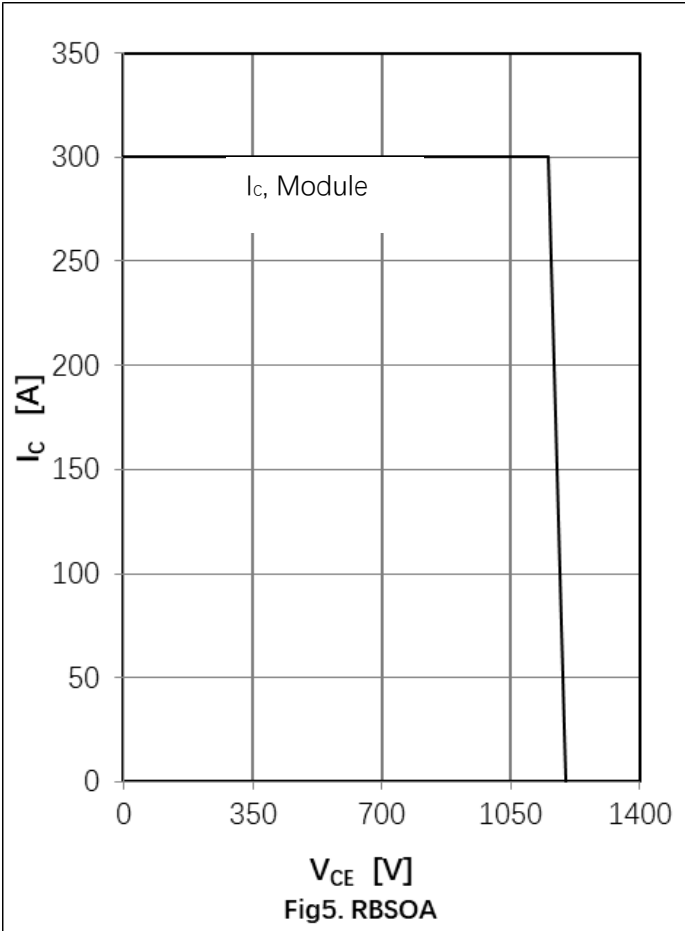
MG150HF12TLC1



● Module Characteristics

T_c=25°C unless otherwise specified

Parameter	Symbol	Conditions	Value			Unit
			Min.	Typ.	Max.	
	V					
	T					°C



τ

— $T_{vj}=25^{\circ}\text{C}$
 - - - $T_{vj}=125^{\circ}\text{C}$

$V_{cc}=600\text{V}$
 $R_G=5.1\text{ohm}$
 $V_{GE}=\pm 15\text{V}$
 $T_{vj}=125^{\circ}\text{C}$



MG150HF12TLC1

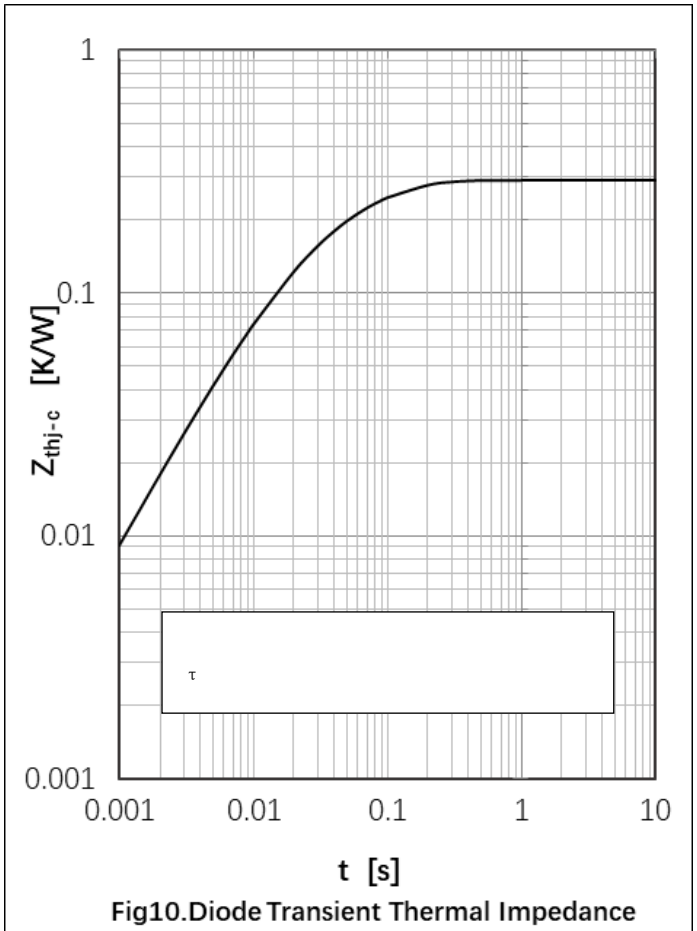
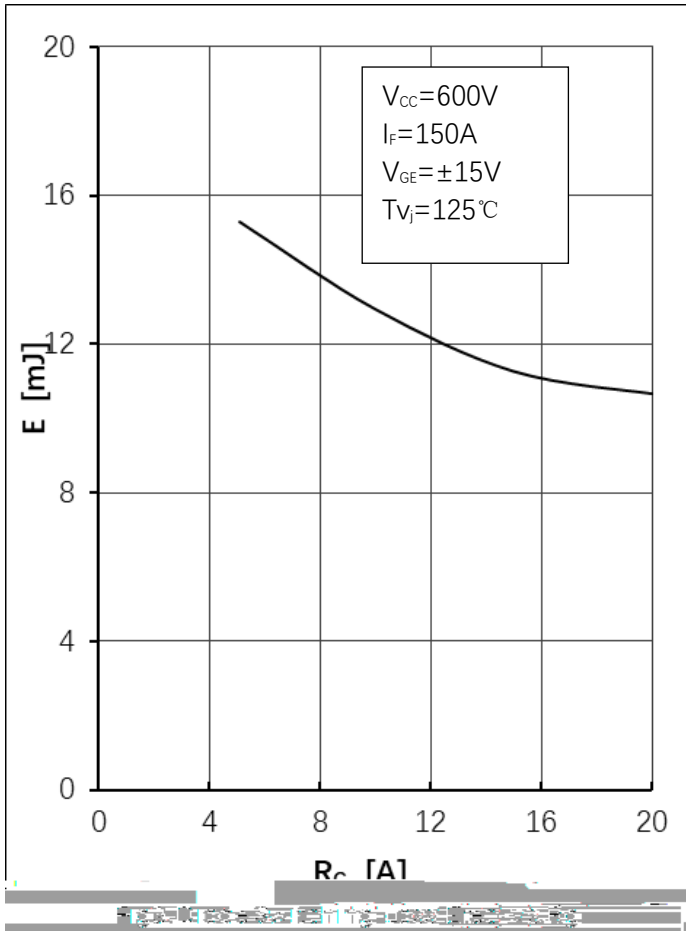
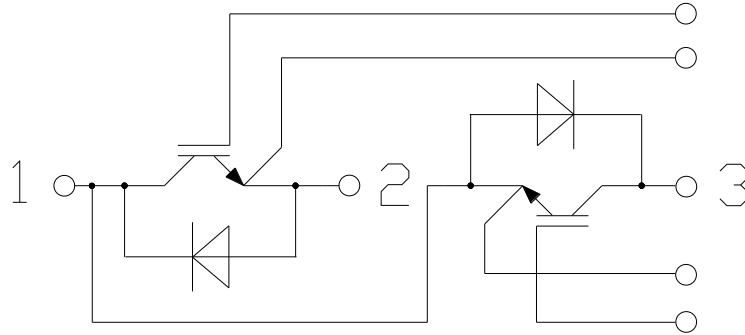


Fig10.Diode Transient Thermal Impedance



MG150HF12TLC1

● Circuit Diagram



● Package Outline Information

