

DK112

AC-DC

CMOS

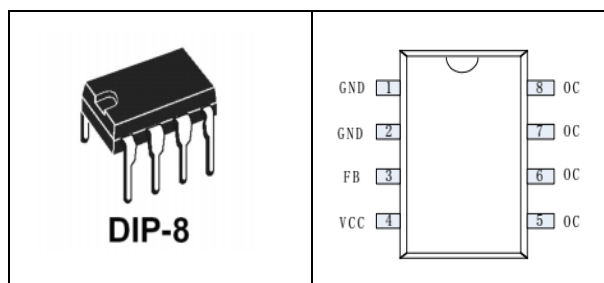
-
-
-
-
-
-
-

-
-
-
-

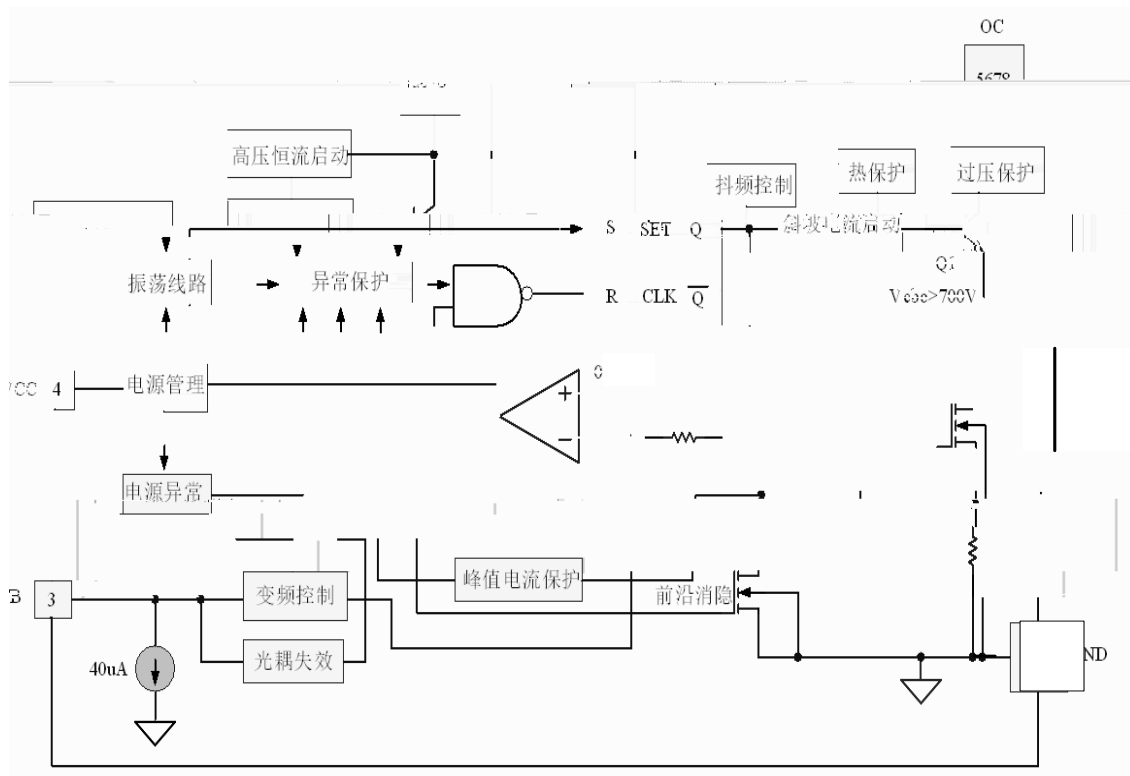
-
-
-

LED

DVD



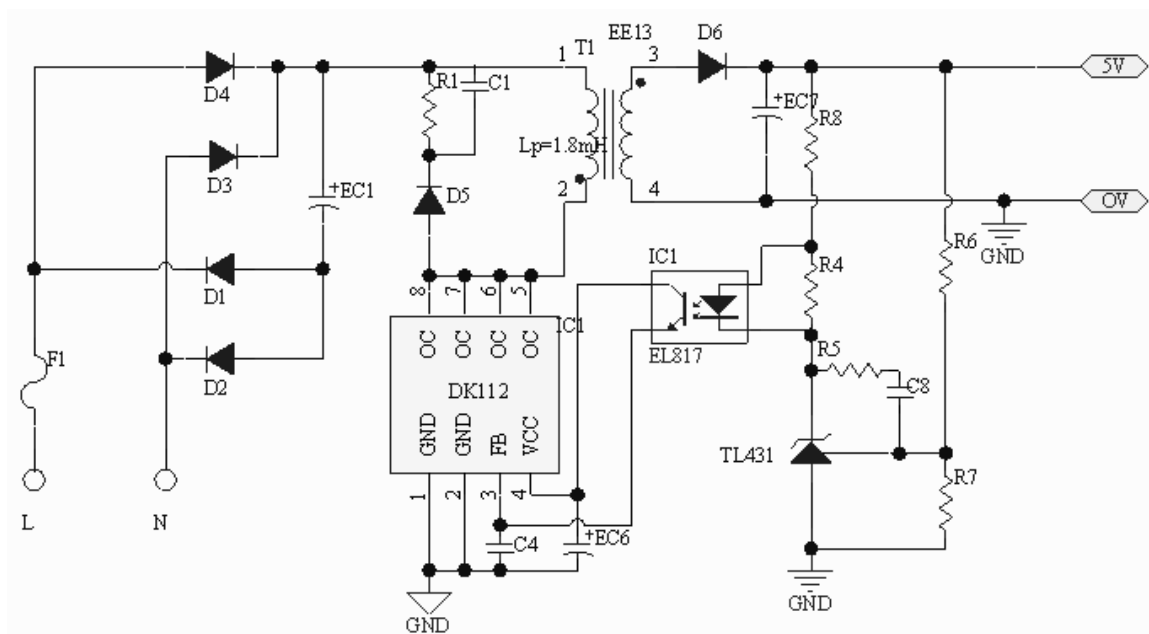
1	GND	
2	GND	
3	FB	1nF 10nF
4	VCC	10uF 47uF
5,6,7,8	OC	

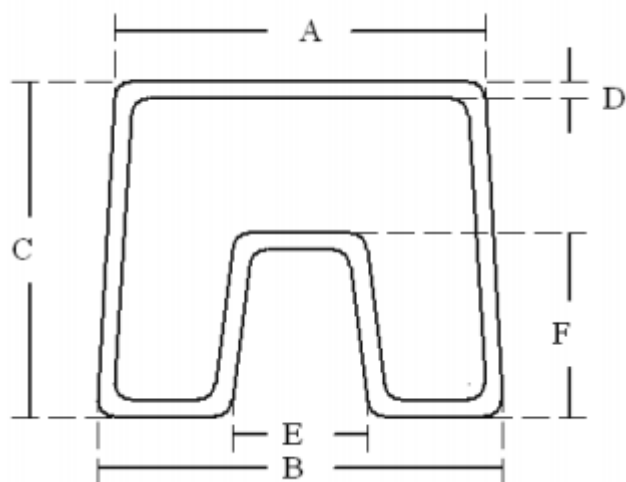


PWC

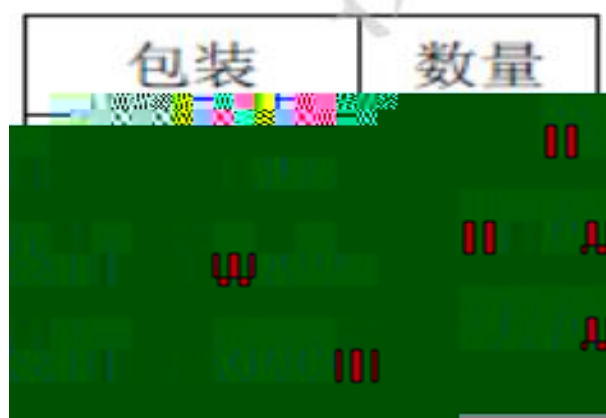
B

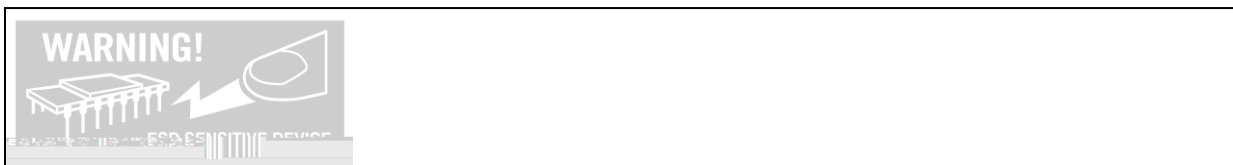
$$T3 = 2\pi\sqrt{Lp * C0c}$$





代号	最小值 (mm)	额定值 (mm)	最大值 (mm)
A	12.5	12.5	14
B	11.5	11.5	14
C	10	10	16
D	0.4	0.4	0.5
E	3.5	3.5	4
F	5	5	6





-
-
-
-
-
-

-