

---

---

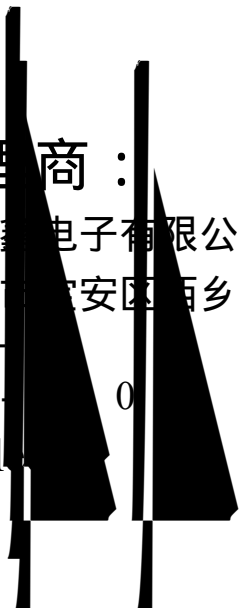
---

一级代理商：

深圳市弗瑞新电子有限公司

地址：深圳市宝安区西乡大道302号金源商务大厦B座三楼

0  
0  
.frxel









**ORIENT**

---

---

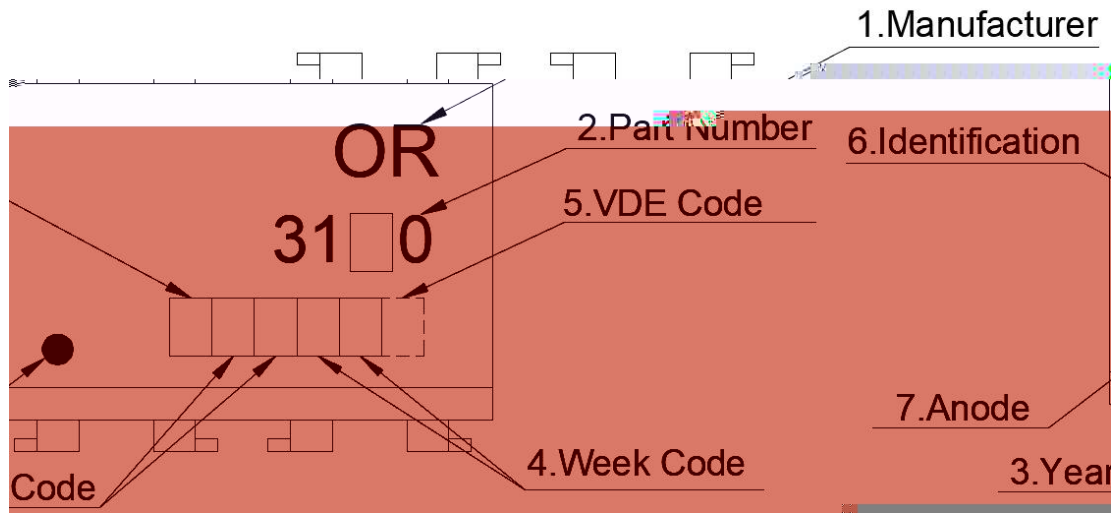


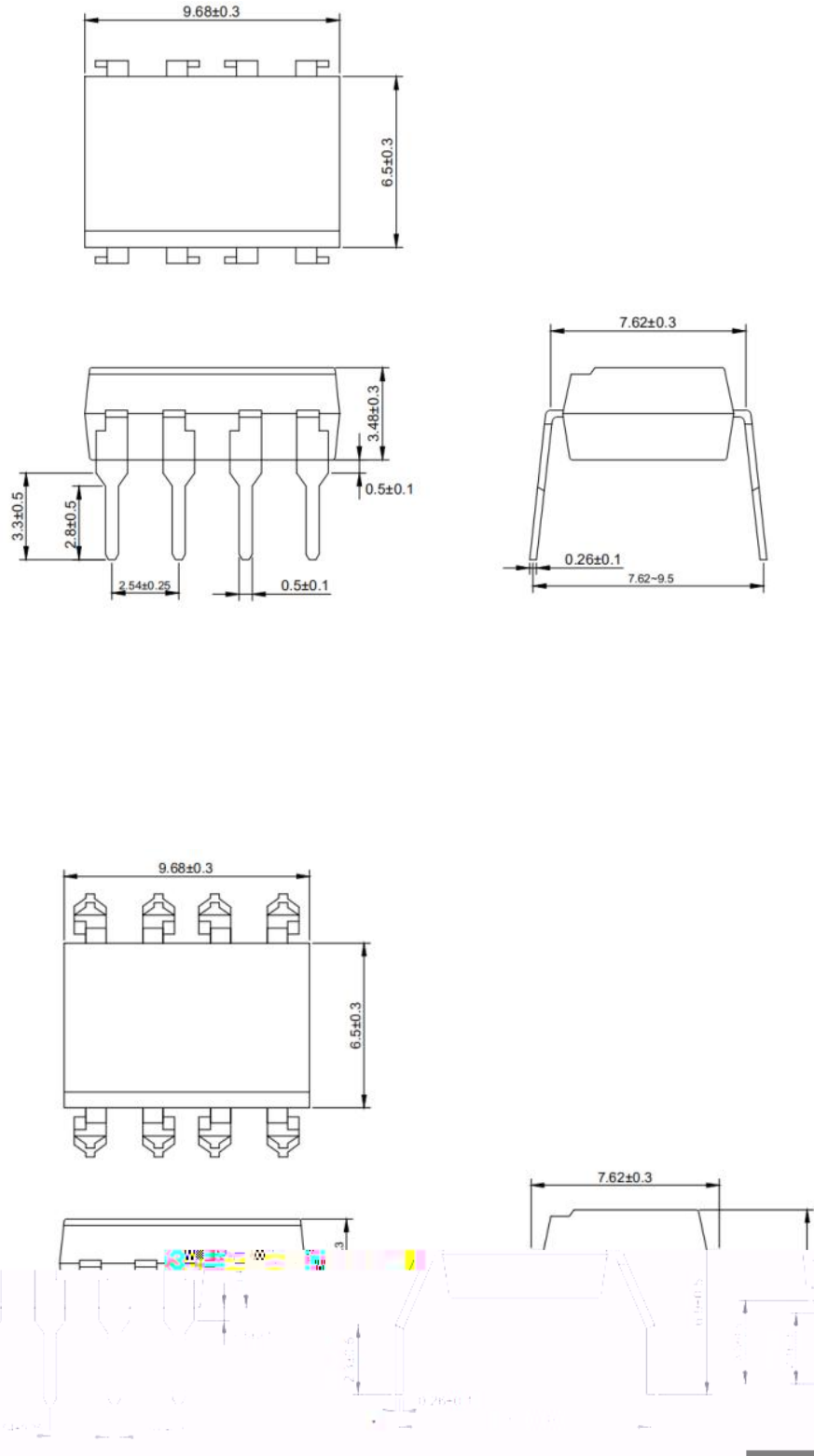
**ORIENT**

---

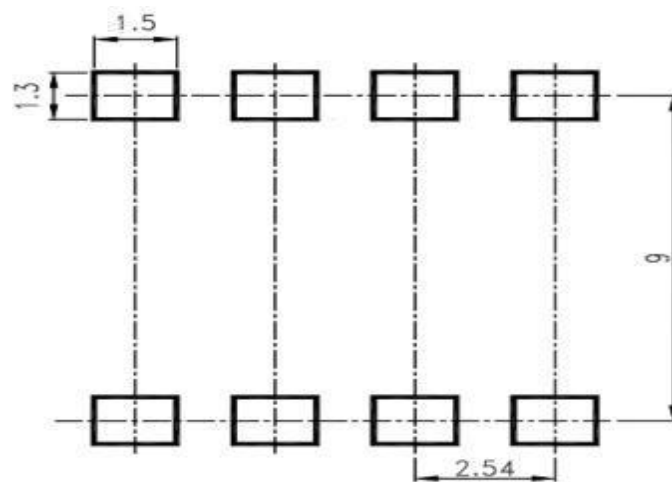
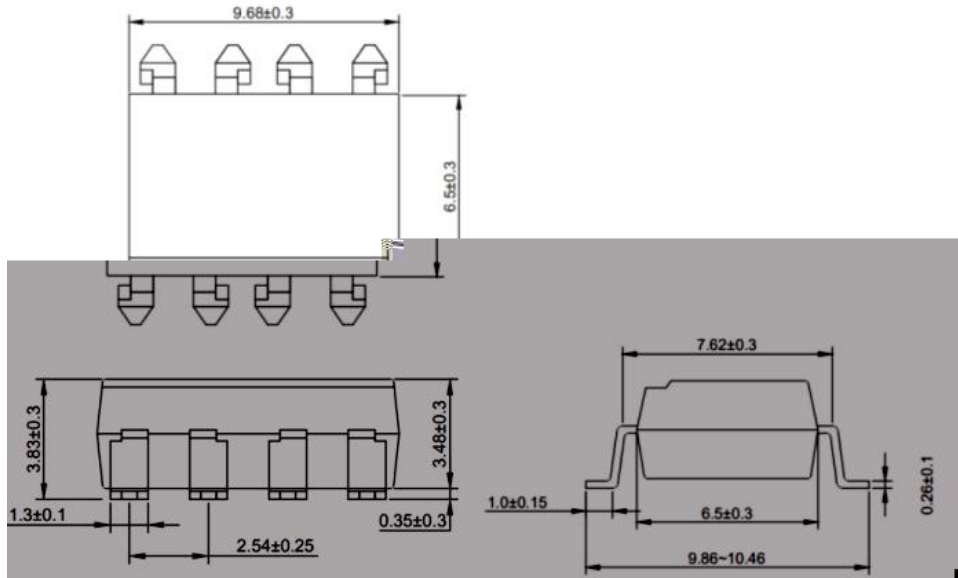
---


---













:  
ЛБ

---







ORIENT  
ShenZhen Orient  
Components Co.,LTD

Material Code : 120PCXXXXXX



P/N: OR-XXXXXX



ORIENT COMPONENTS CO., LTD.

SHENZHEN, CHINA

WWW.ORIENTCOMPONENTS.COM

TEL: +86 755 26000000

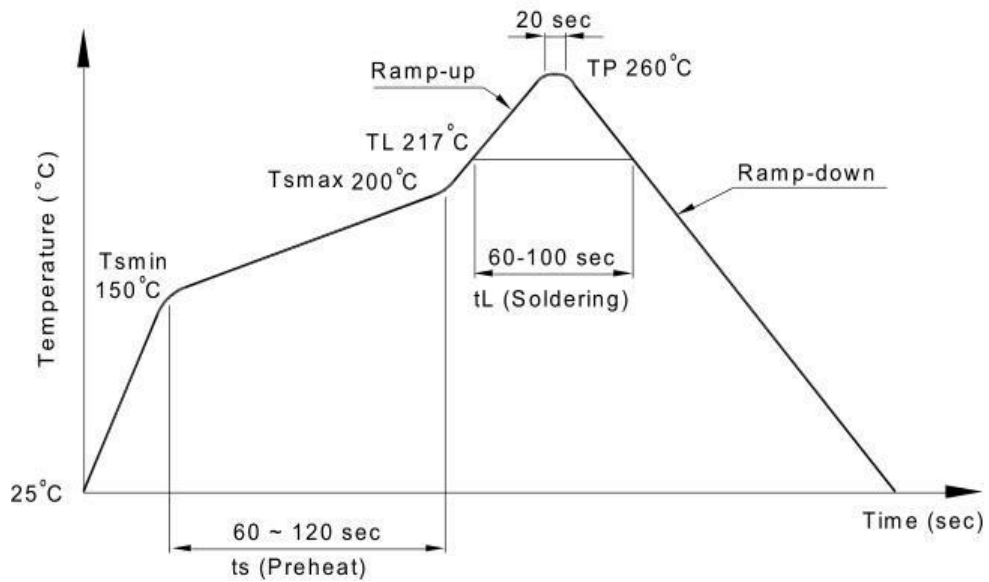





Figure 1:  $V_{OH}$  vs. Temperature

Figure 2:  $I_{OH}$  vs. Temperature

Figure 3:  $V_{OH}$  vs.  $I_{OH}$

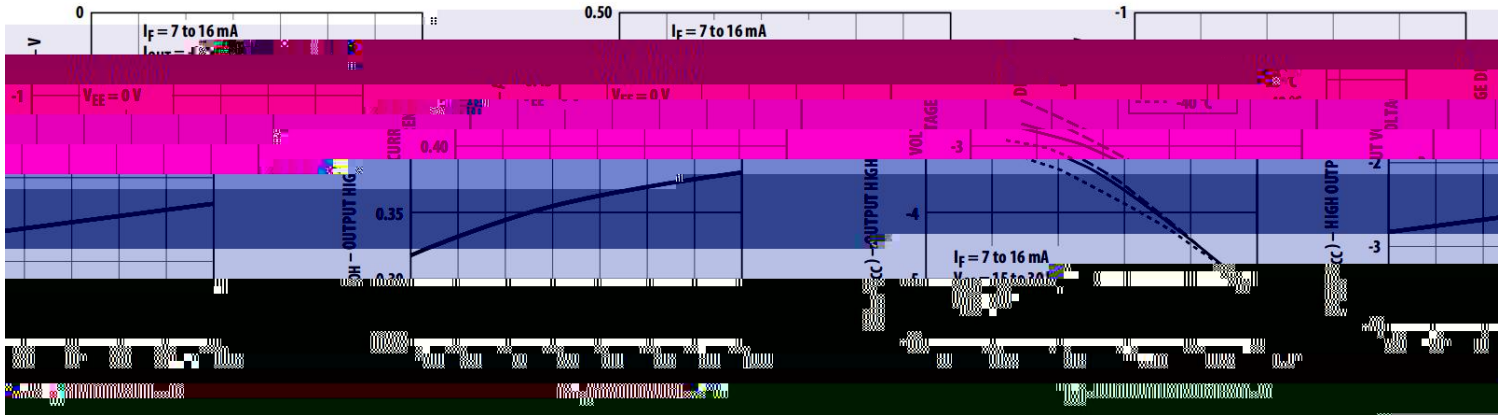


Figure 4:  $V_{OL}$  vs. Temperature

Figure 5:  $I_{OL}$  vs. Temperature

Figure 6:  $V_{OL}$  vs.  $I_{OL}$

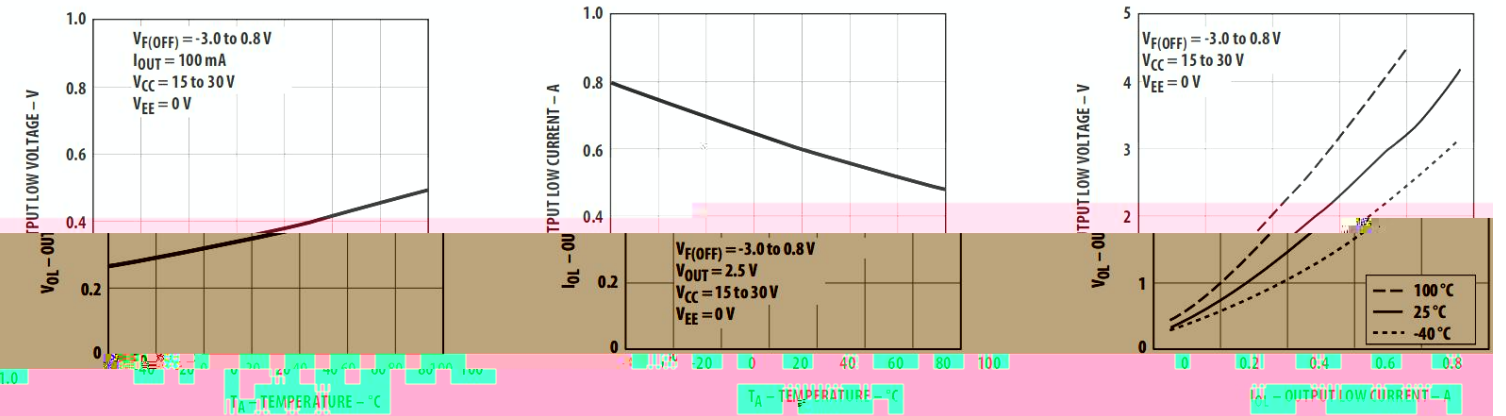
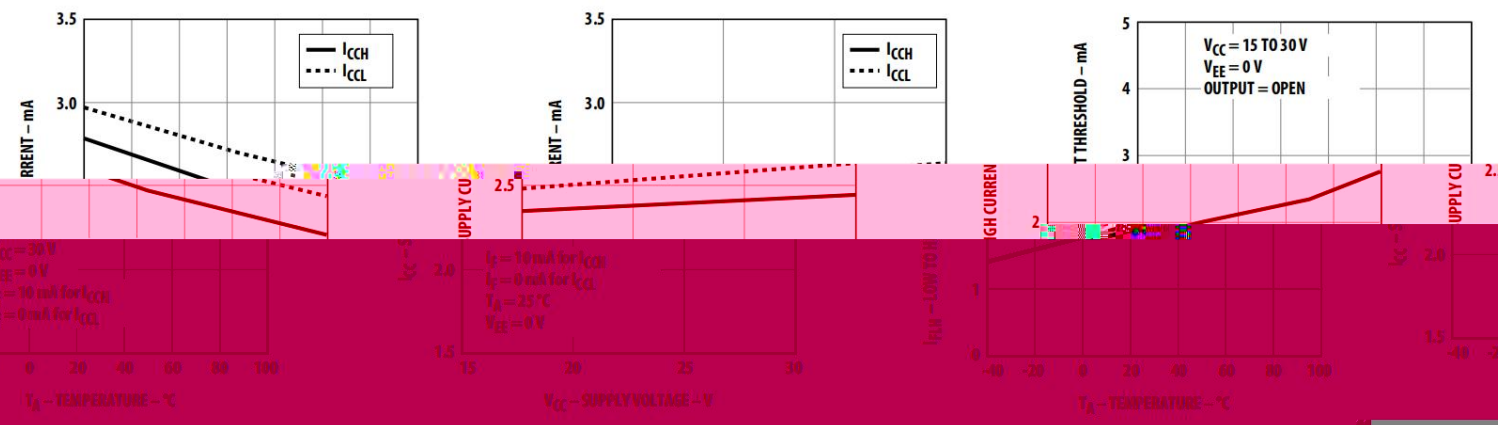


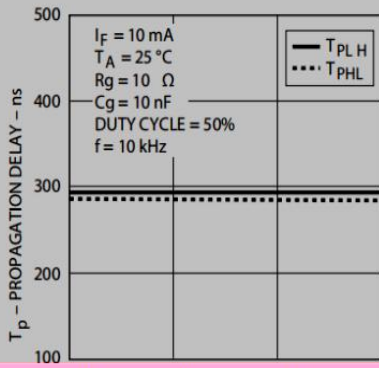
Figure 7:  $I_{CC}$  vs. Temperature

Figure 8:  $I_{CC}$  vs.  $V_{CC}$

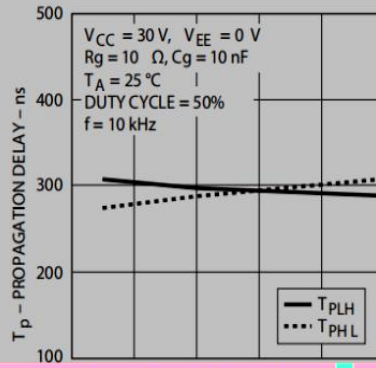
Figure 9:  $I_{FLH}$  vs. Temperature



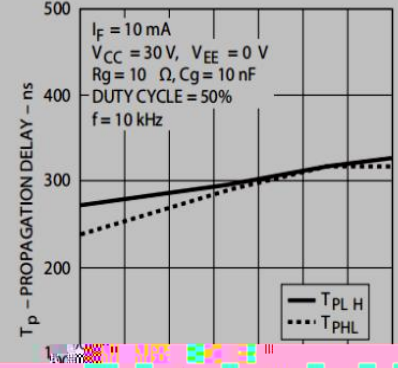
**Figure 10 Propagation Delay vs.  $V_{CC}$  (OR-3120)**



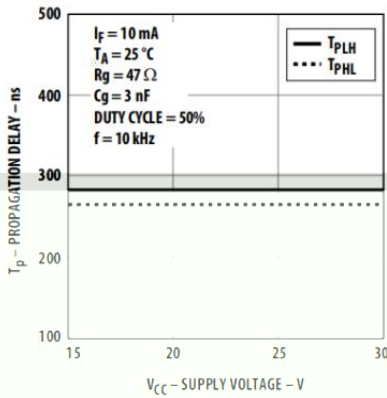
**Figure 11 Propagation Delay vs.  $I_F$  (OR-3120)**



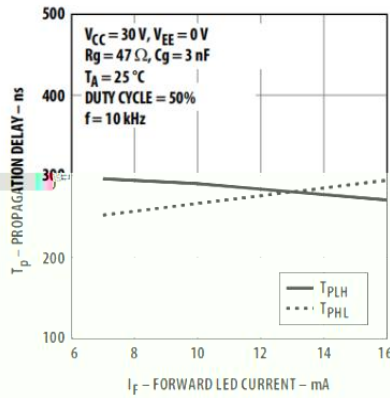
**Figure 12 Propagation Delay vs. Temperature (OR-3120)**



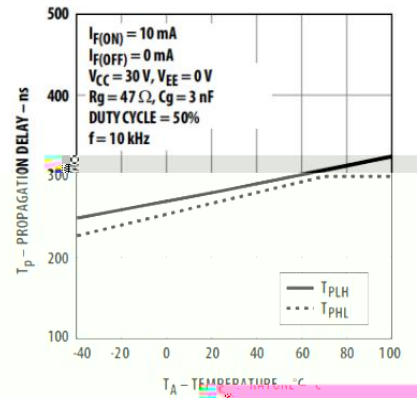
**Propagation Delay vs.  $V_{CC}$  (OR-3150)**



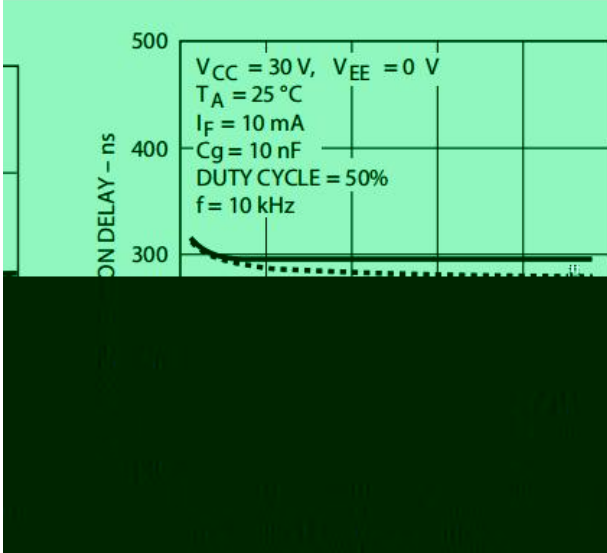
**Propagation Delay vs.  $I_F$  (OR-3150)**



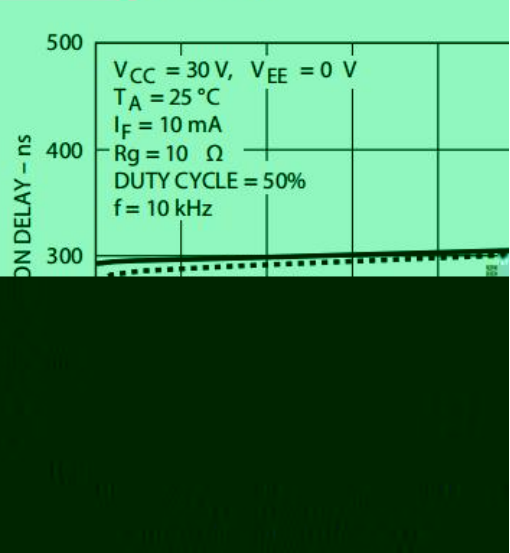
**Propagation Delay vs. Temperature (OR-3150)**



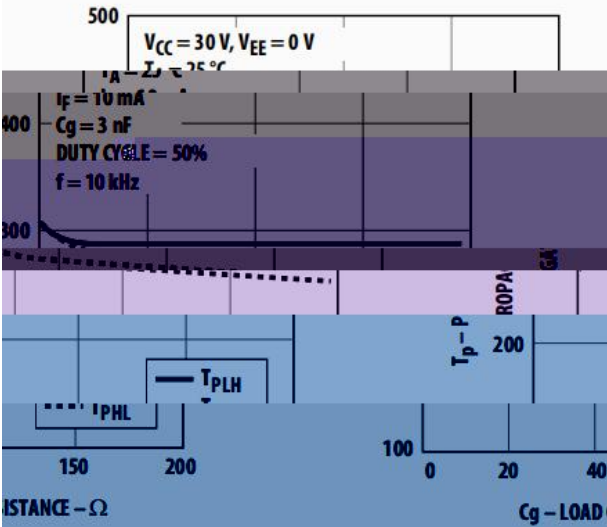
**Figure 13 Propagation Delay vs. Rg  
(OR-3120)**



**Figure 14 Propagation Delay vs. Cg  
(OR-3120)**



**Propagation Delay vs. Rg  
(OR-3150)**



**Propagation Delay vs. Cg  
(OR-3150)**

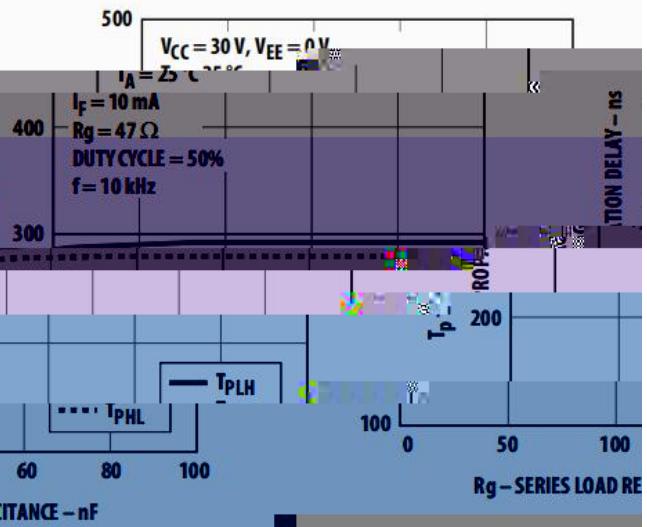




Figure 15 Transfer Characteristics

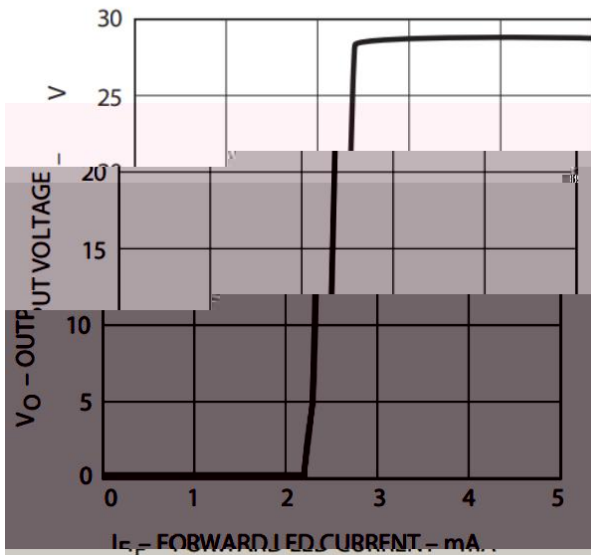


Figure 16 Input Current vs Forward Voltage

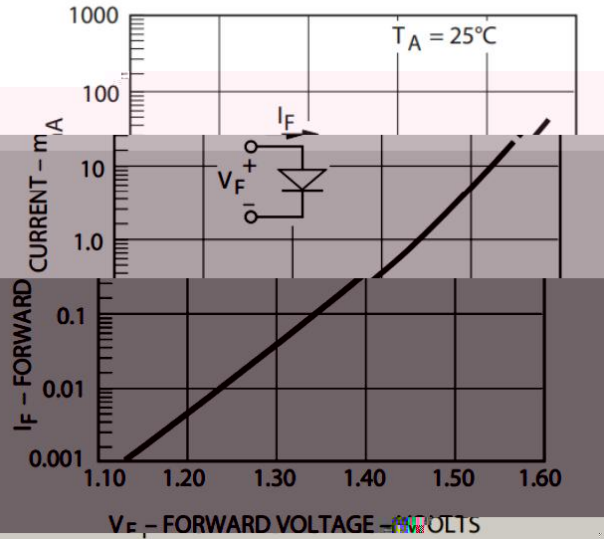


Figure 17:  $I_{OH}$  Test Circuit

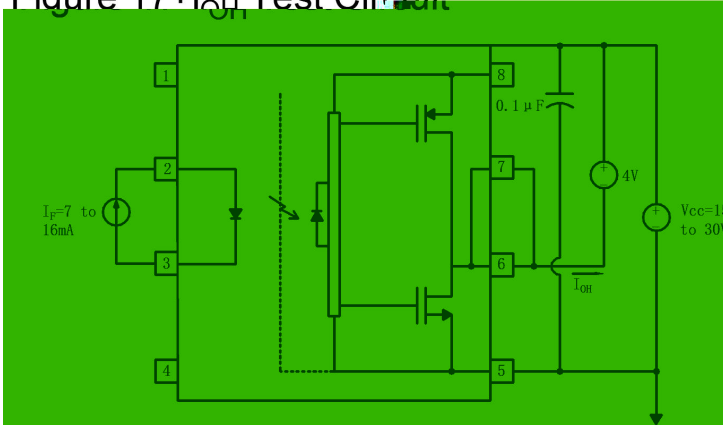


Figure 18:  $I_{OL}$  Test Circuit



Figure 19:  $V_{OH}$  Test Circuit

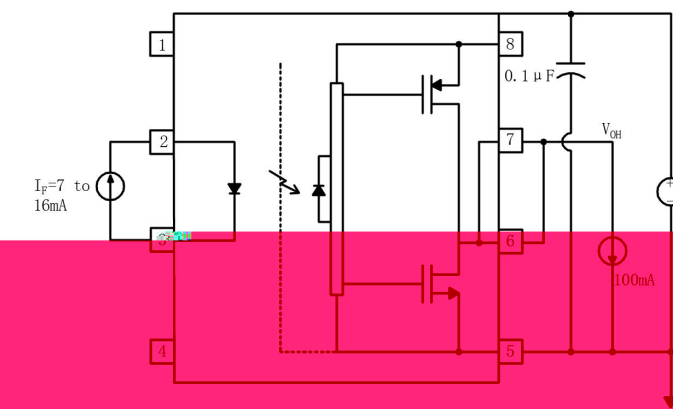


Figure 20:  $V_{OL}$  Test Circuit

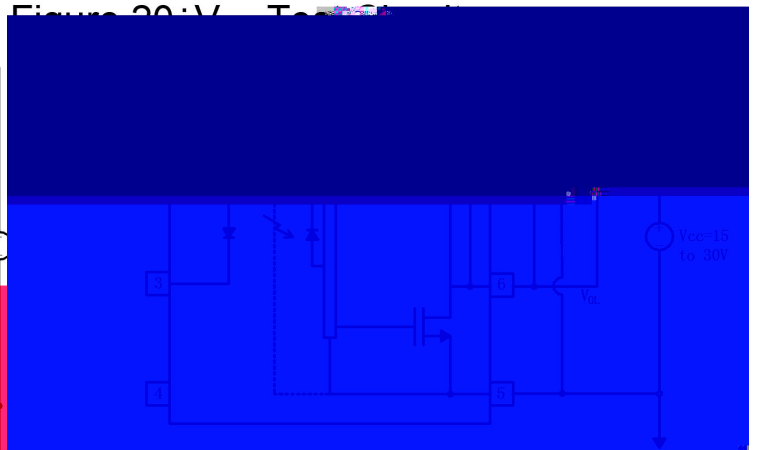


Figure 21:  $I_{FLH}$  Test Circuit

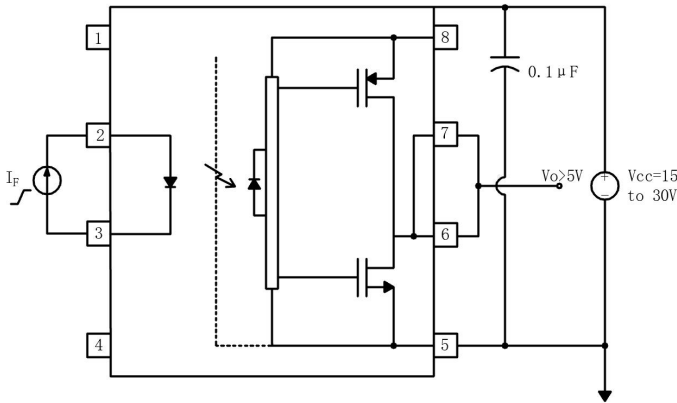


Figure 22: UVLO Test Circuit

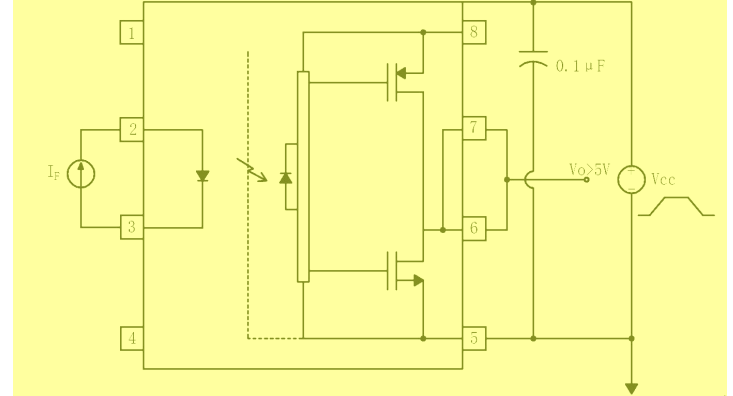


Figure 23:  $t_{PLH}$ ,  $t_{PHL}$ ,  $t_r$ , and  $t_f$  Test Circuit and Waveforms

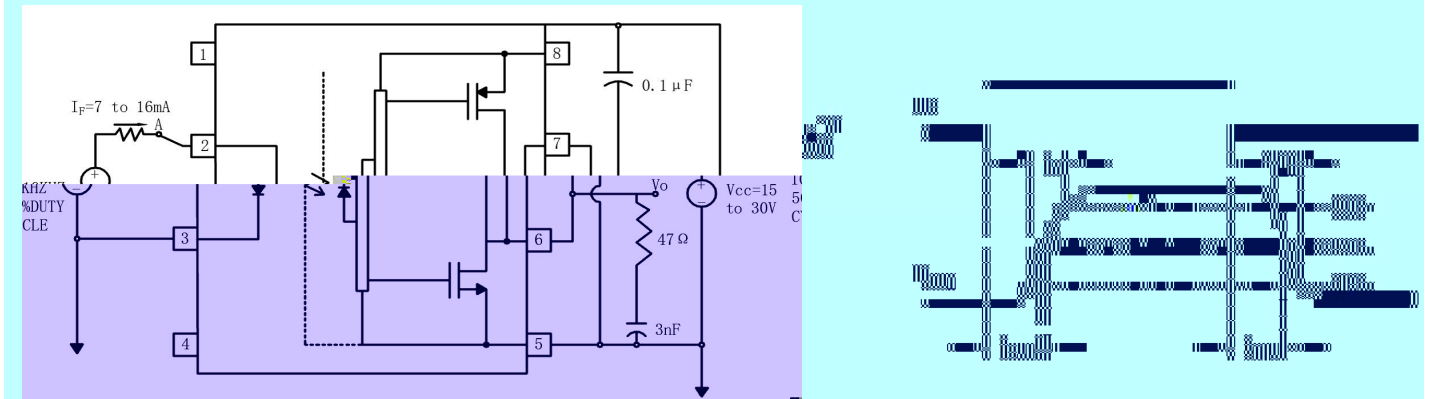


Figure 24: CMR Test Circuit and Waveforms

