

# TD356 Series

## SOP4, DC Input Photo Transistor Coupler

### Description

# ! " \$ %

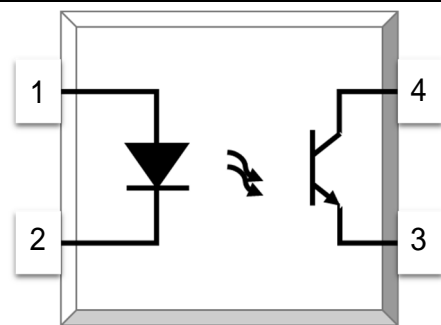
### Features

& ' ( ) \* +  
 , \* - %  
 ,  
 . / ,  
 \* 1 , &  
 &  
 + 2 0  
 \* %  
 32 . 320 ''  
 ) 1 . 14 ( ' ' . . 5 ) 1 (66 . 7  
 , 8 , 9 : ; "0\$ :66;6

### Applications

- 
- 
- &
- <

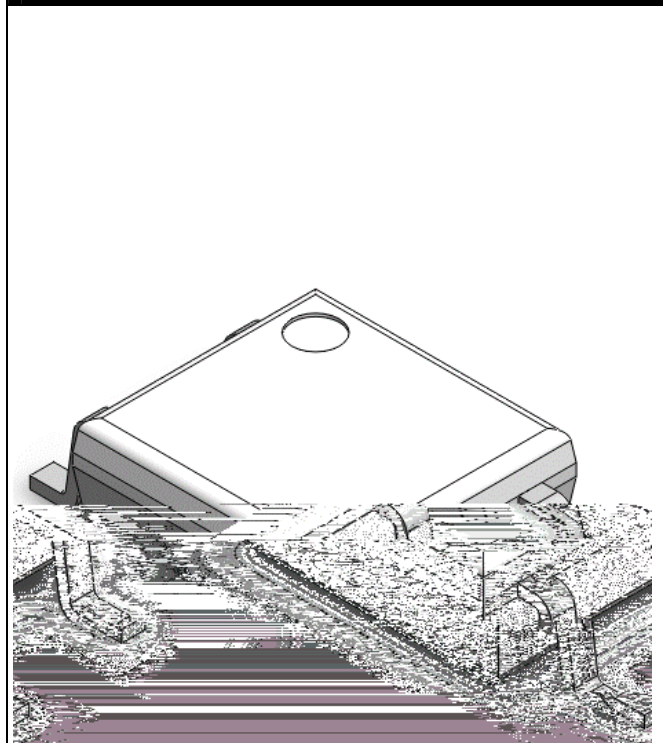
### SCHEMATIC



### PIN DEFINITION

1. Anode
2. Cathode
3. Emitter
4. Collector

### PACKAGE OUTLINE





# TD356 Series

## SOP4, DC Input Photo Transistor Coupler

A ' SO# " TE MA (IM " M ) ATIN ! S				
* +1 1*	=+ : 2	) 231	34>	4 1
>4 3				
?	>?	(		
! ?	>?	0		0
* % )	)*		)	
>	>	0((	#	
3 3				
, . 1 )	),1	6(	)	
1 . , )	)1,	'	)	
, ,	> ,	(		
		0 (	#	
, ++ 4				
		@((	#	
> )	)	(((	)	@
		. A00(	/,	
		. A0@	/,	
		@ (	/,	



# TD356 Series

## SOP4, DC Input Photo Transistor Coupler

ELECTRICAL CHARACTERISTICS at Ta = 25°C								
* +1 1*	=+ : 2	+>4	= " + B" 34>	1 , 4 > > 4	4 1			
>4 3								
?	)	)?	.	0"@	0"	)	>?C0(	
* %	,	>*	.	.	0(	D	)*C )	
>	,	,	.	0(	.	?	)C(\$ CO!&E	
3 3								
,	!	>,1	.	.	0((		), 1C@(\$>?C(	
,	.1	:),1	6(	.	.	)	>,C("0 \$>?C(	
1	''	:),1,	'	.	.	)	>1C("0 \$>?C(	
* 4 ?1* , & * , 1*> > ,								
,	*	,	*	(	.	((	F	>?C \$), 1C )
				6(	.	0 (		
				:	.	@ (		
				,	.	((		
				0	.	0@		
				:0	.	@((		
				,0	.	@(		
				0	.	((		
,	.1	),15 7	.	("	("@	)	>?C@(\$>,CO	
>	*	*,>	0(GO@	0(GO	.	H	, (()\$ (A (F *"&"	
?	,	,>	.	("	0	?	)C(\$ CO+&E	
,	. ? <		.	6(	.	!&E	), 1C@)\$>,C@ *2CO((H\$. :	
*	5* 7		.		06	D	), 1C@)\$>,C@	
*	5? 7		.		06	D	*2CO((H	

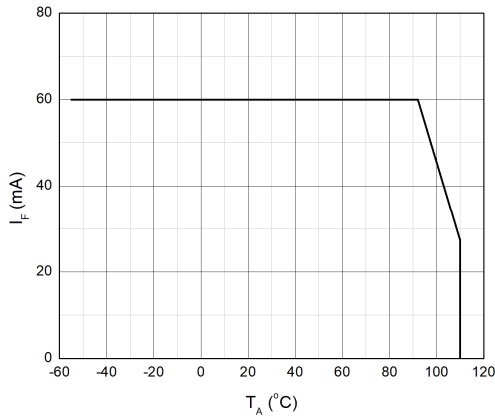


# TD356 Series

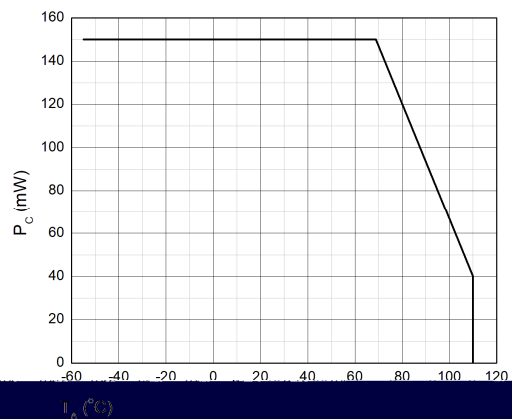
## SOP4, DC Input Photo Transistor Coupler

### CHARACTERISTICS - ES

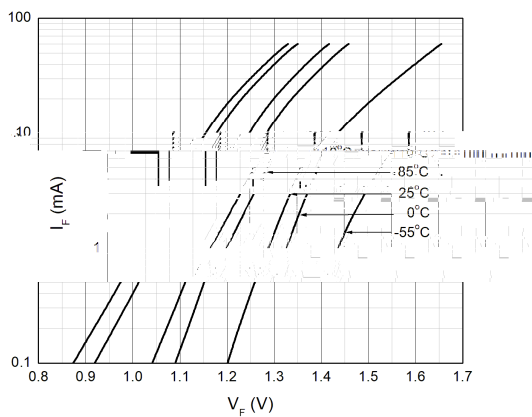
**Fig. 1 Forward Current vs. Ambient Temperature**



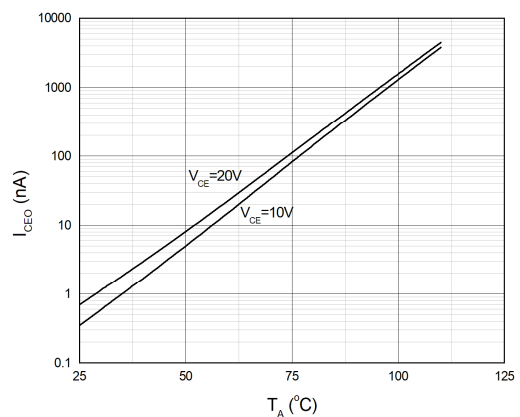
**Fig. 2 Collector Power Dissipation vs. Ambient Temperature**



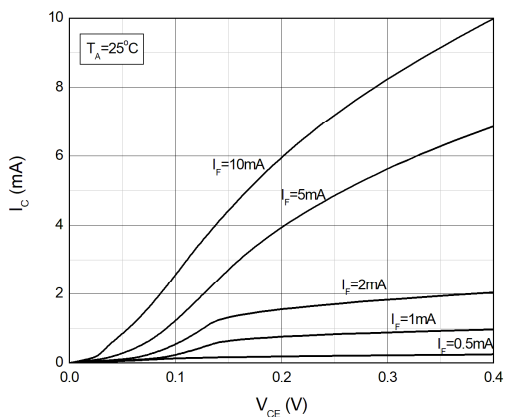
**Fig. 3 Forward Current vs. Forward Voltage**



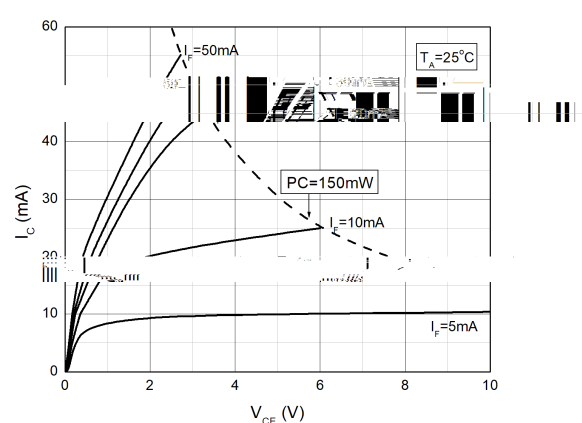
**Fig. 4 Collector Dark Current vs. Ambient Temperature**



**Fig. 5 Collector Current vs. Collector-Emitter Voltage**



**Fig. 6 Collector Current vs. Collector-Emitter Voltage**



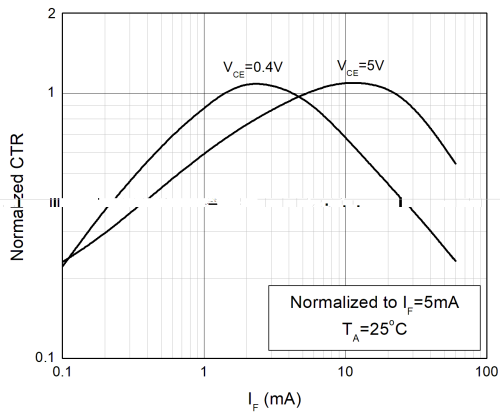


# TD356 Series

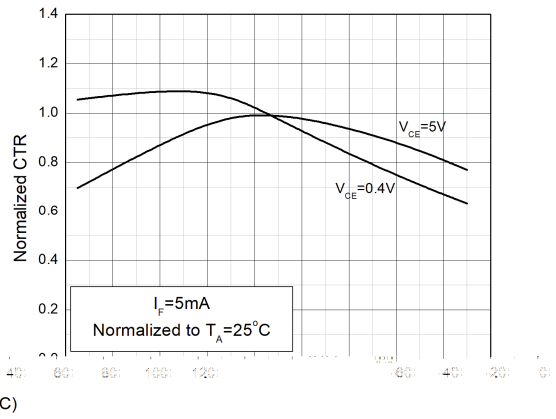
## SOP4, DC Input Photo Transistor Coupler

### CHARACTERISTICS - ES

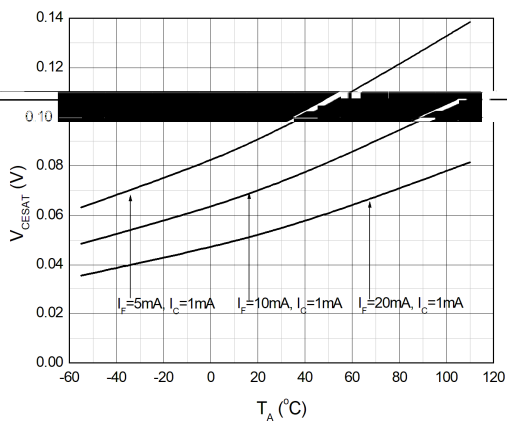
**Fig. 5 Normalized Current Transfer Ratio vs. Forward Current**



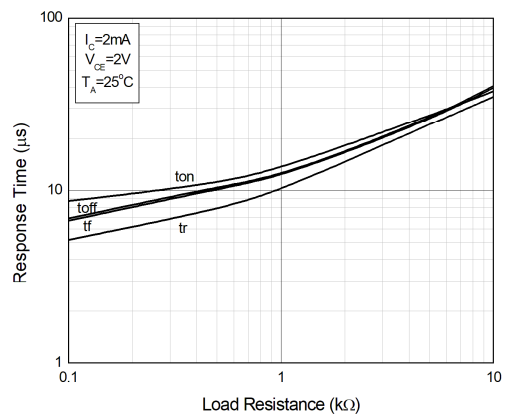
**Fig. 8 Normalized Current Transfer Ratio vs. Ambient Temperature**



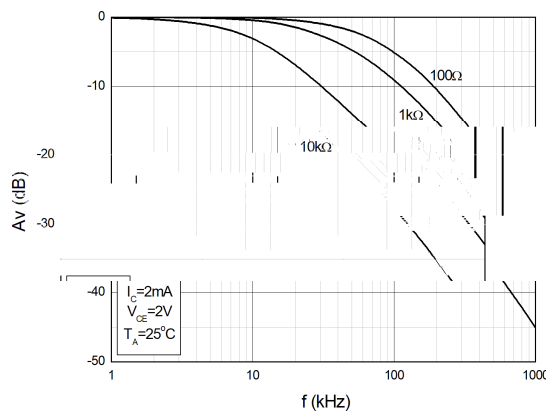
**Fig. 9 Collector-Emitter Saturation Voltage vs. Ambient Temperature**



**Fig. 10 Switching Time vs. Load Resistance**



**Fig. 11 Frequency Response**





# TD356 Series

## SOP4, DC Input Photo Transistor Coupler

### TEST CIRCUITS

Fig. 12 Test Circuit of  $\beta$  on Time

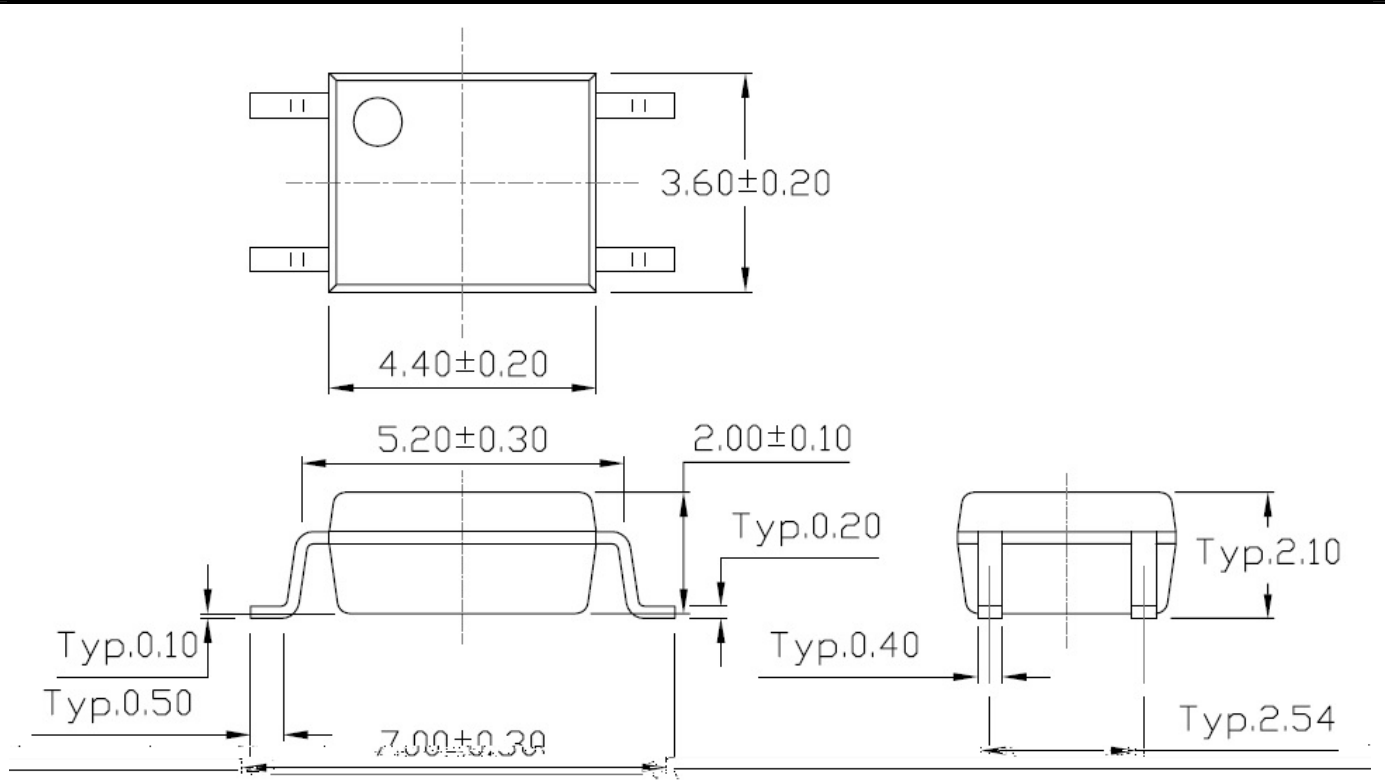
Fig. 13 Circuit of  $\tau$  on Time



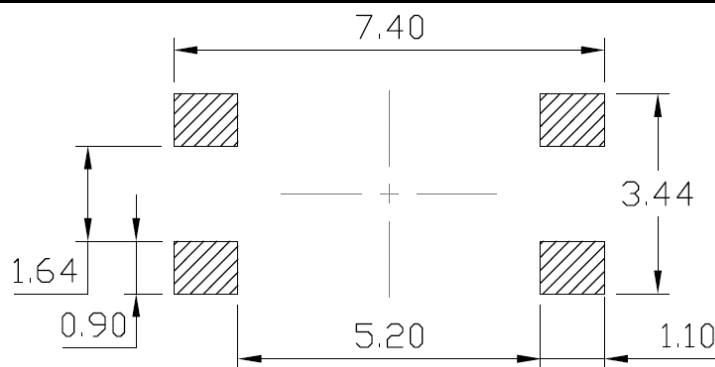
# TD356 Series

## SOP4, DC Input Photo Transistor Coupler

### PACKAGE DIMENSIONS (Dimensions in mm unless otherwise stated)



### Recommended Solder Mask (Dimensions in mm unless otherwise stated)



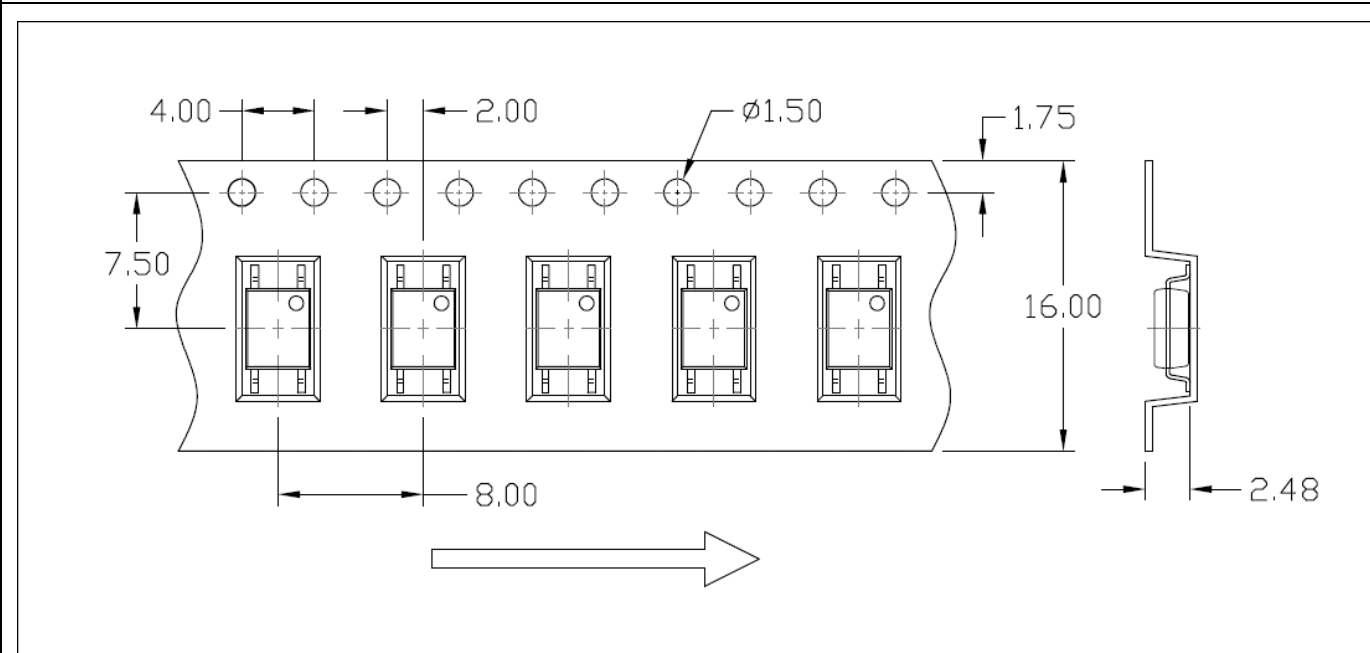


# TD356 Series

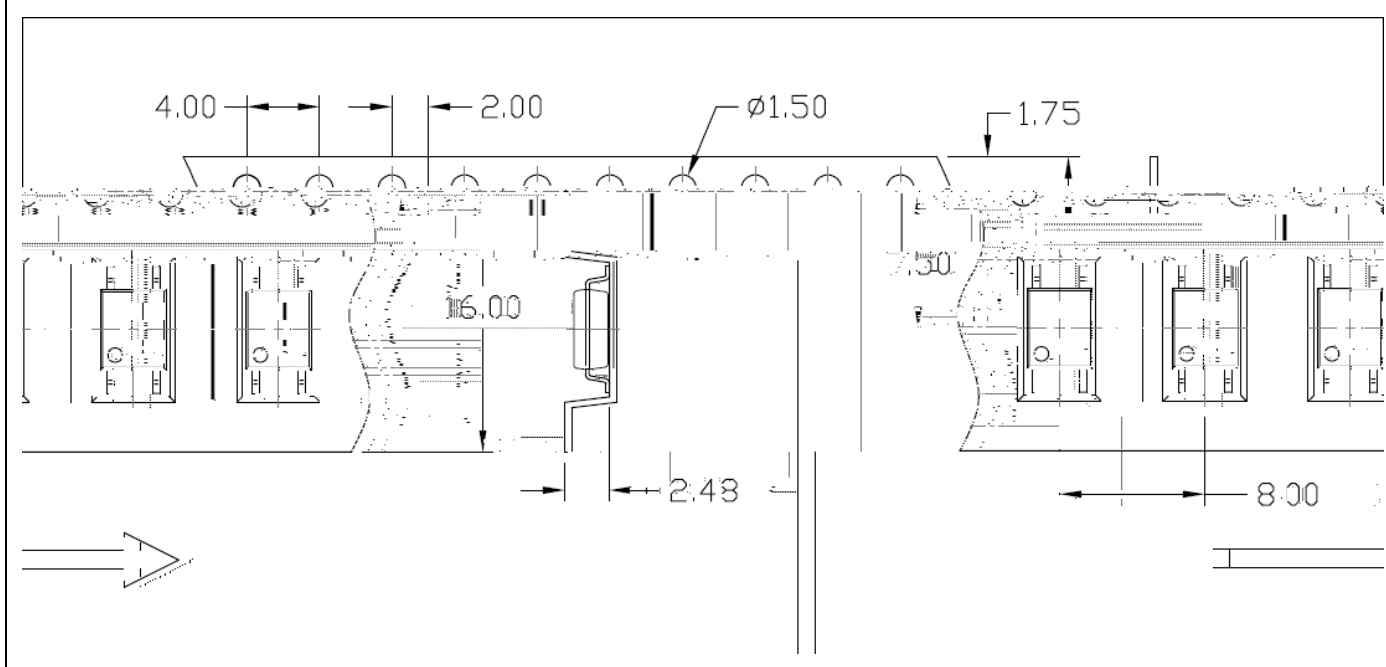
## SOP4, DC Input Photo Transistor Coupler

### TAPE SPECIFICATIONS (Dimensions in mm unless otherwise stated)

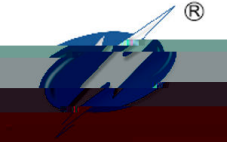
Option T1



Option T2





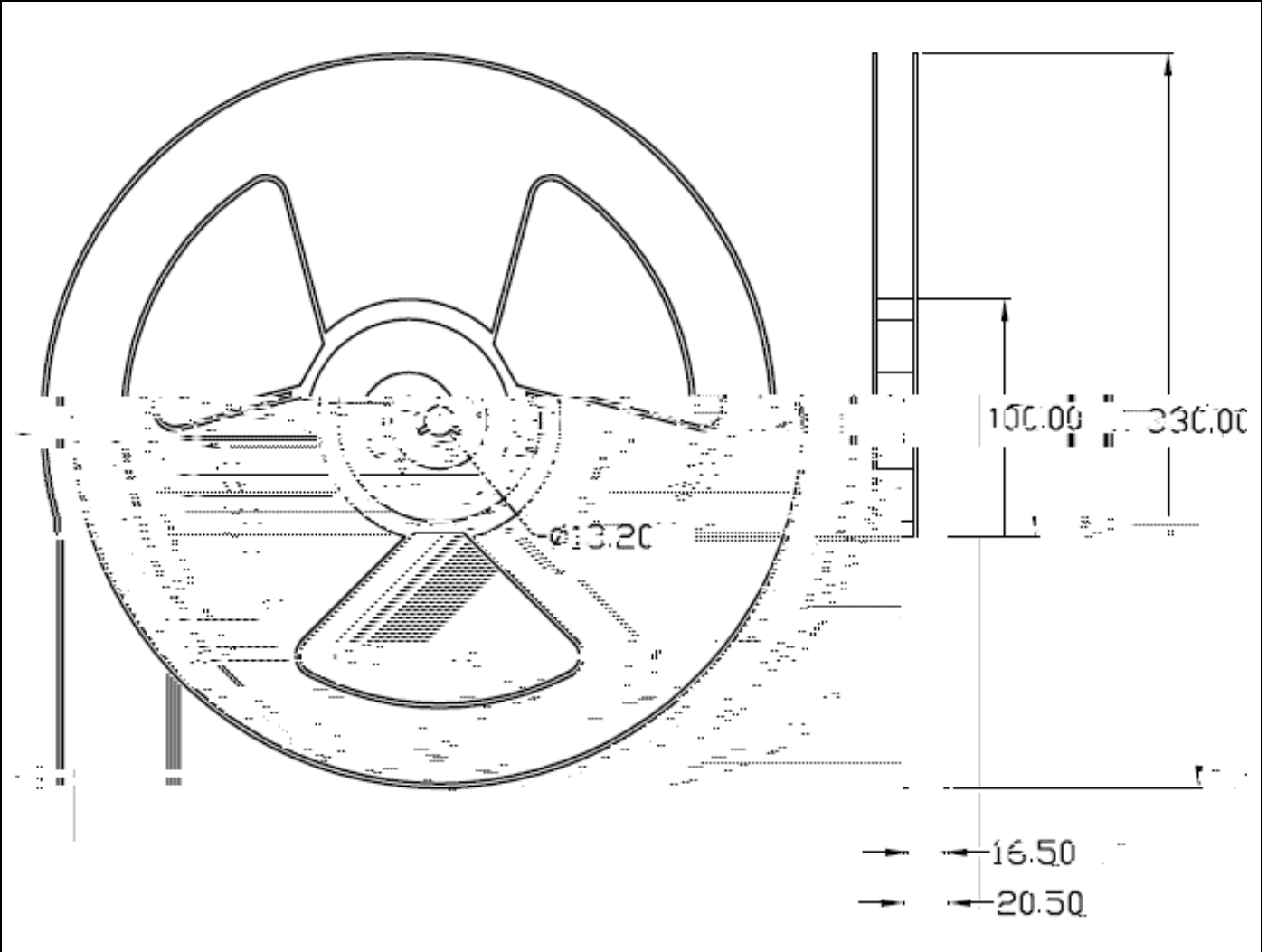


# TD356 Series

## SOP4, DC Input Photo Transistor Coupler

MECHANICAL SPECIFICATIONS (Dimensions in mm unless otherwise stated)

Option T1 > T2

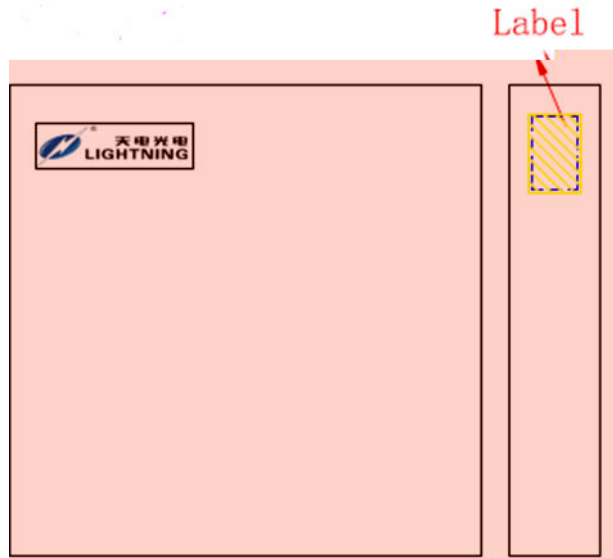




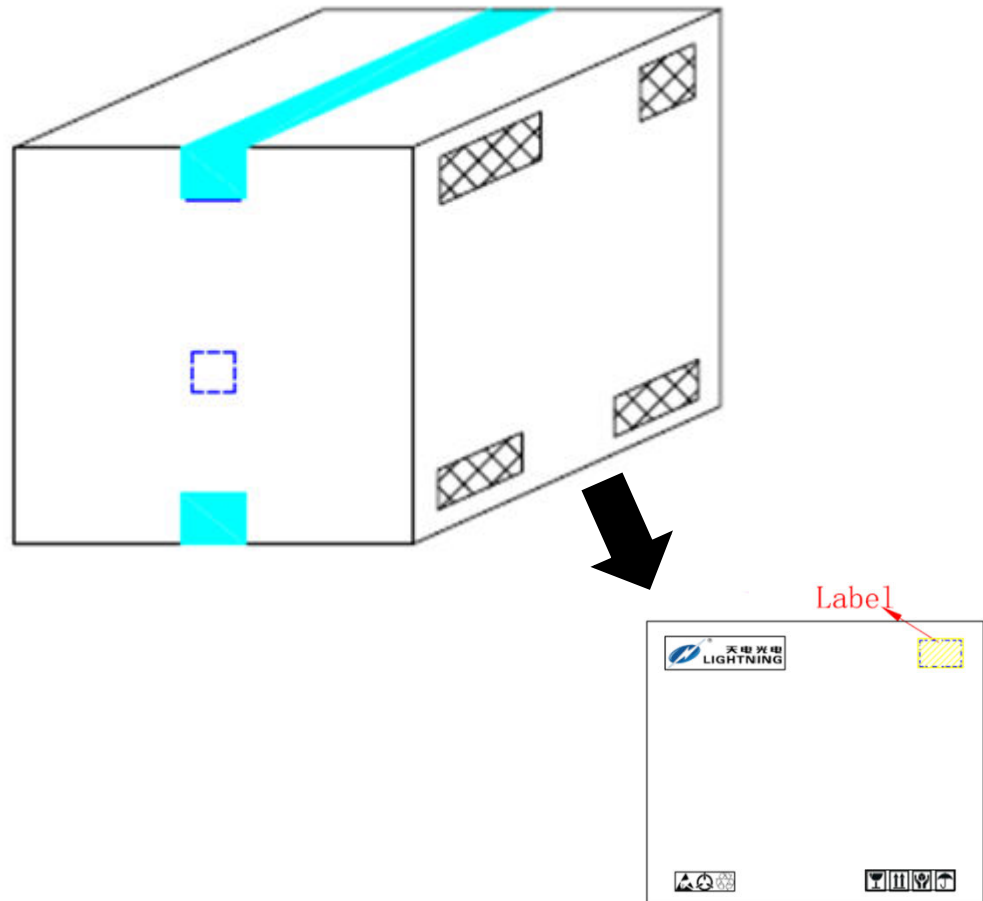
# TD356 Series SOP4, DC Input Photo Transistor Coupler

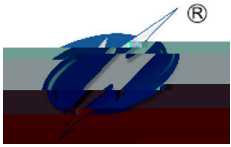
## Inner 'o?

Inner 'o?



O&ter 'o?





# TD356 Series

## SOP4, DC Input Photo Transistor Coupler

### ORDERING AND MARKING INFORMATION

#### MARKING INFORMATION

	<table border="0"> <tr> <td>TD</td> <td>Company Name</td> </tr> <tr> <td>3+4</td> <td>Part Number</td> </tr> <tr> <td>(</td> <td>CT)</td> </tr> <tr> <td>-</td> <td>Device Option</td> </tr> <tr> <td>A</td> <td>Fiscal Year</td> </tr> <tr> <td>A</td> <td>Manufacturing Code</td> </tr> <tr> <td>BB</td> <td>Box/Bag</td> </tr> </table>	TD	Company Name	3+4	Part Number	(	CT)	-	Device Option	A	Fiscal Year	A	Manufacturing Code	BB	Box/Bag
TD	Company Name														
3+4	Part Number														
(	CT)														
-	Device Option														
A	Fiscal Year														
A	Manufacturing Code														
BB	Box/Bag														

#### ORDERING INFORMATION

#### #A 'E# MARKING INFORMATION

<p>TD356 (CT=3) -</p>	<div style="border: 1px solid black; padding: 5px;"> <p><b>福建天电光电有限公司</b> FUJIAN LIGHTNING OPTOELECTRONIC CO., LTD.</p> <p>Part No : XXXXXXXXXXXXX      Bin Code : X</p> <p>Lot No : XXXXXXXXXXXX</p> <p>Date Code : XXXX</p> <p>Q'ty : XXXX pcs</p> </div>
<p>9,      "</p> <p>9      4</p> <p>B9 * !5 !:!,l      4      7</p> <p>J9      *      5 0! @7</p> <p>9</p> <p>)9) 1      5)      4      7</p>	

#### PACKAGING INFORMATION

Option	Environment	Environment for Inner Lead?	Environment for Outer Lead?
0	(((3 I*	* l> -	> -l -C !3
@	(((3 I*	* l> -	> -l -C !3



# TD356 Series

## SOP4, DC Input Photo Transistor Coupler

### DEFINITION

#### DEFINITION

Profile Feature

Sn3P1 Assembly Profile

P13Free Assy



# TD356 Series

## SOP4, DC Input Photo Transistor Coupler

DISC#AIME )

2> & 4>4 % < \$ \$ " 2> & 4>4  
% ! "  
% "  
2> & 4>4 ! \$ " -  
- \$ 2> & 4>4 5 7 \$  
\$ 5 7 \$ \$  
< \$ 5 7 \$ \$  
\$ < \$ % \$ I% < \$  
\$ . " "  
\$ \$ % \$ \$ "  
% L "  
2> & 4>4 < "  
> || "  
% % % "  
% " \$ % % "  
|| - " -  
2> & 4>4 || \$  
- " "  
! \$ . ">  
"