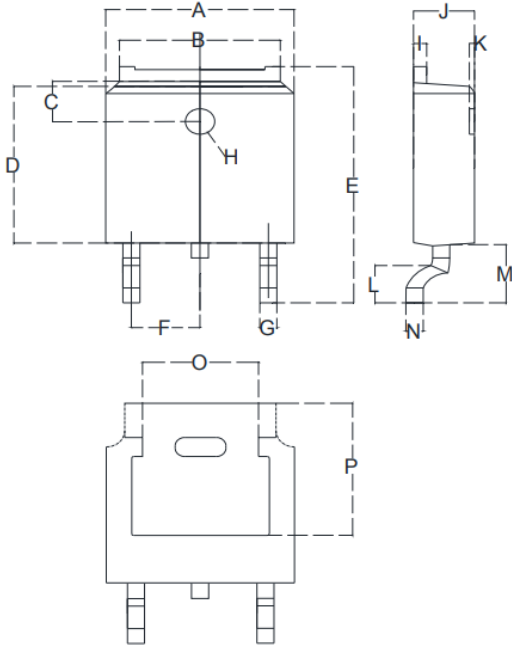




TO-252

单位：mm



TO-252		
Dim	Min	Max
A	6.500	6.700
B	11.500	11.700
C	14.500	14.700
D	6.500	6.700
E	1.650	1.750
F	2.166	2.266
G	0.660	0.760
H	Φ1.050	Φ1.150
I	0.460	0.560
J	2.200	2.300
K	0	0
L	0.890	0.990
M	2.730	2.830
N	0.480	0.580
O	4.20	4.30
P	5.15	5.25



---

[www.frxelec.com](http://www.frxelec.com)