

一级代理商：

深圳市弗瑞鑫电子有限公司

地址：深圳市宝安区西乡大道302号金源商务大厦B座三楼

frxelec

%"

&"

"

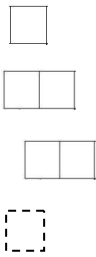
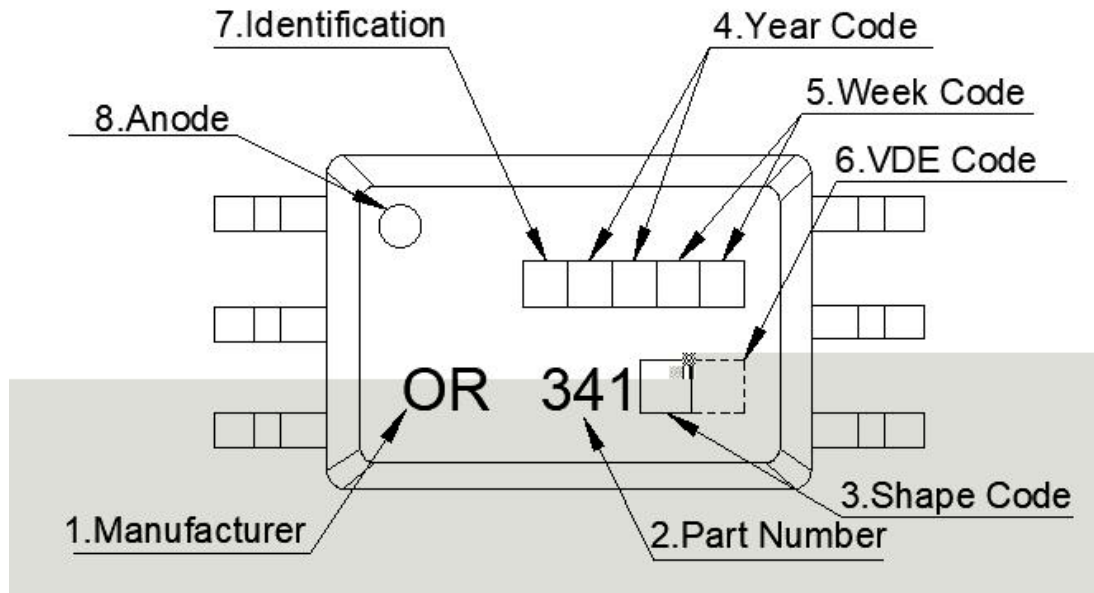
("

)"

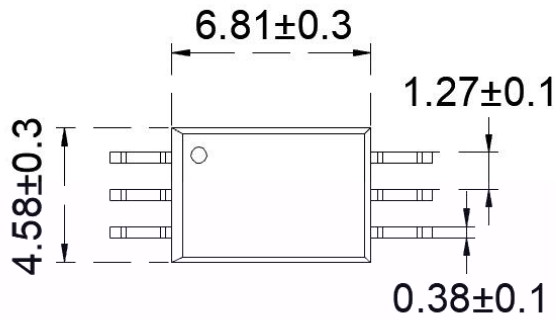
+

,

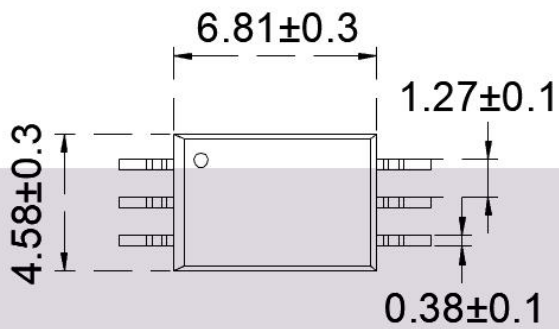
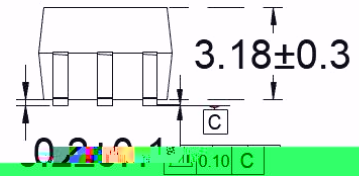
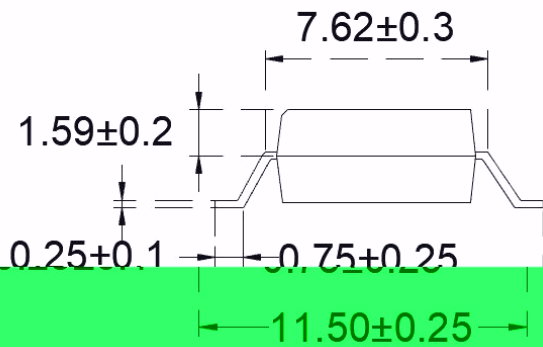
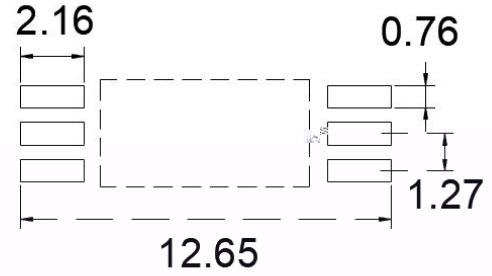
-"



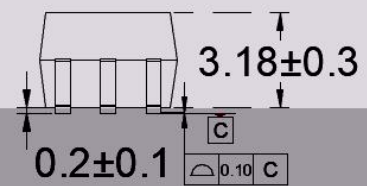
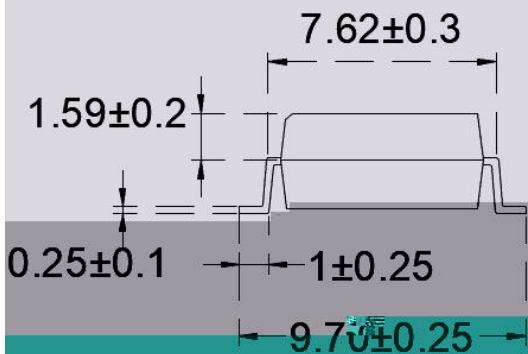
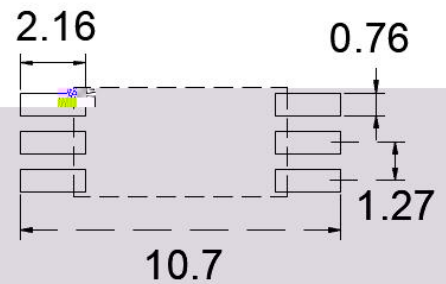
%"\$"



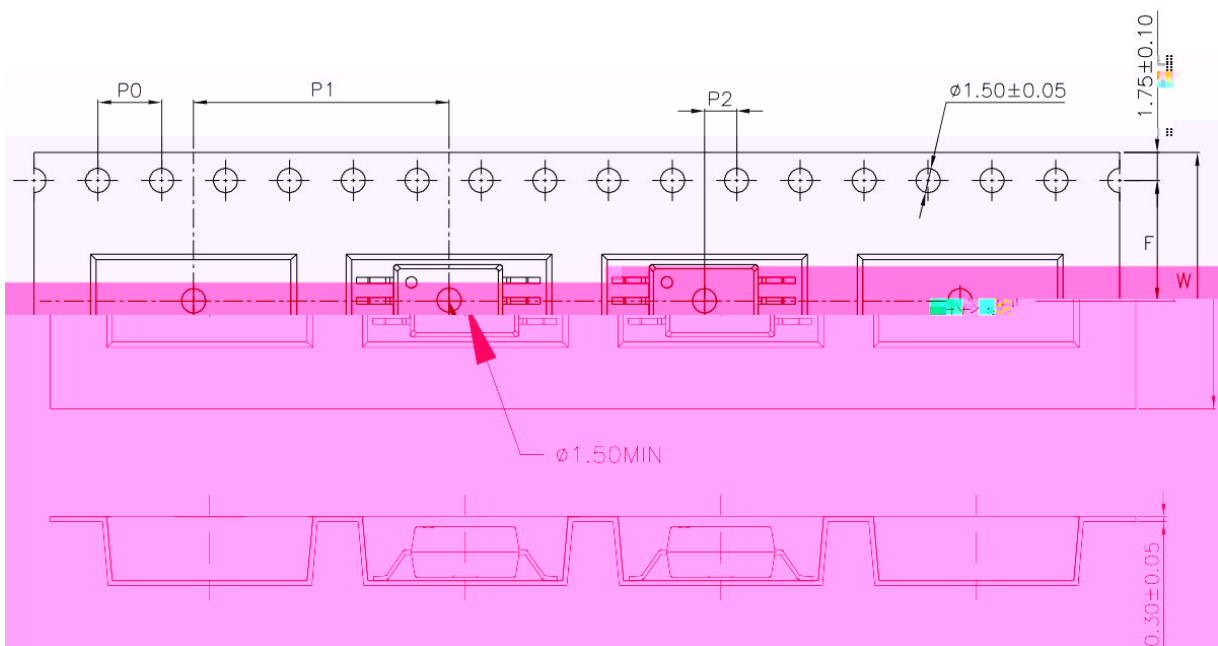
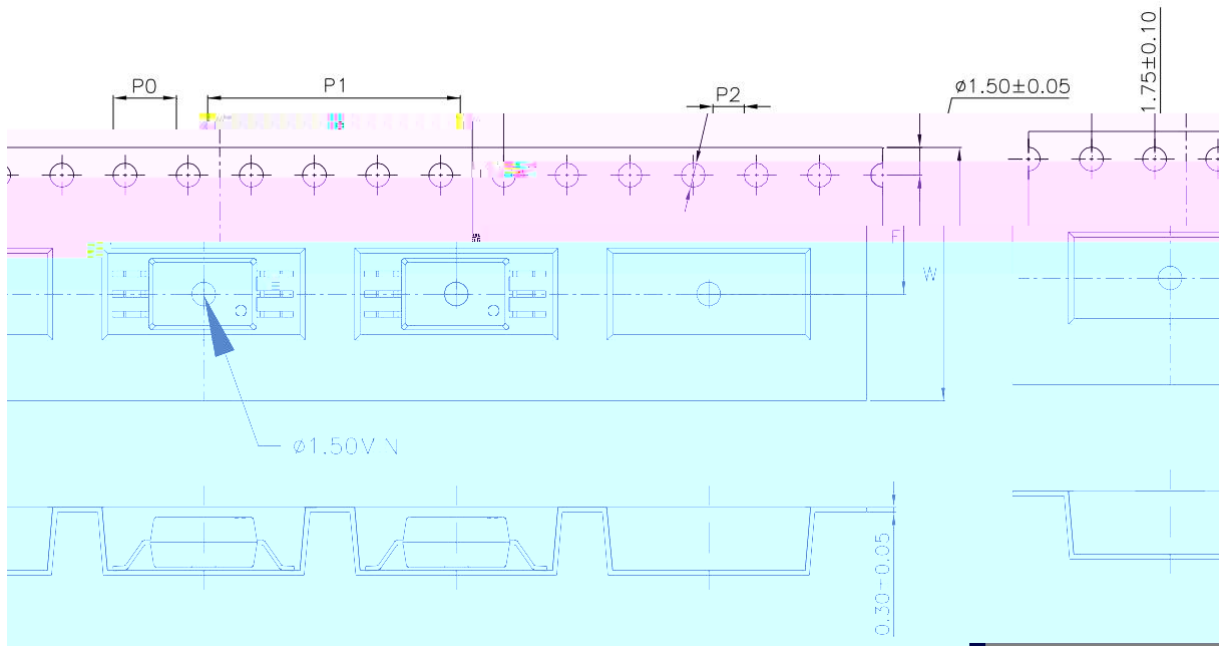
Land Pattern Recommendation

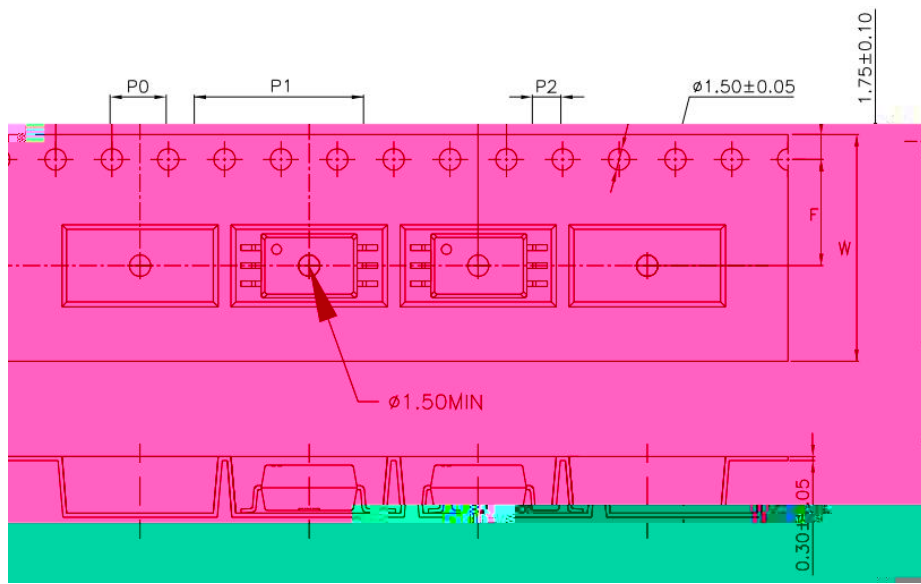
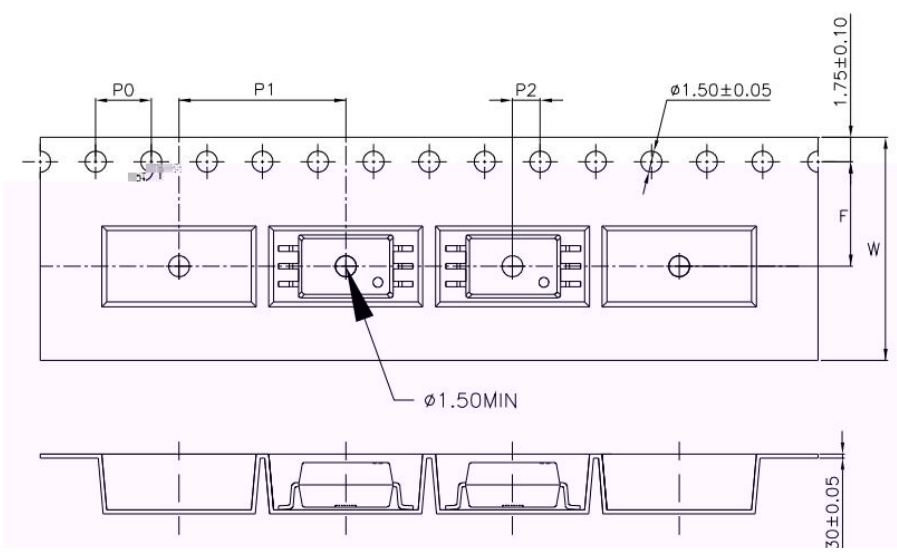


Land Pattern Recommendation



%%"





%&"



Shenzhen Orient Components Co.,LTD




Material Code: J20PCXXXXXX

|||||

P/N: OR-XXXXXX

|||||

Lot No.: XXXXXX-XXXX-TX-X

|||||

D/C: XXXX

|||||

Qty: XXXX PCS

|||||

内箱码

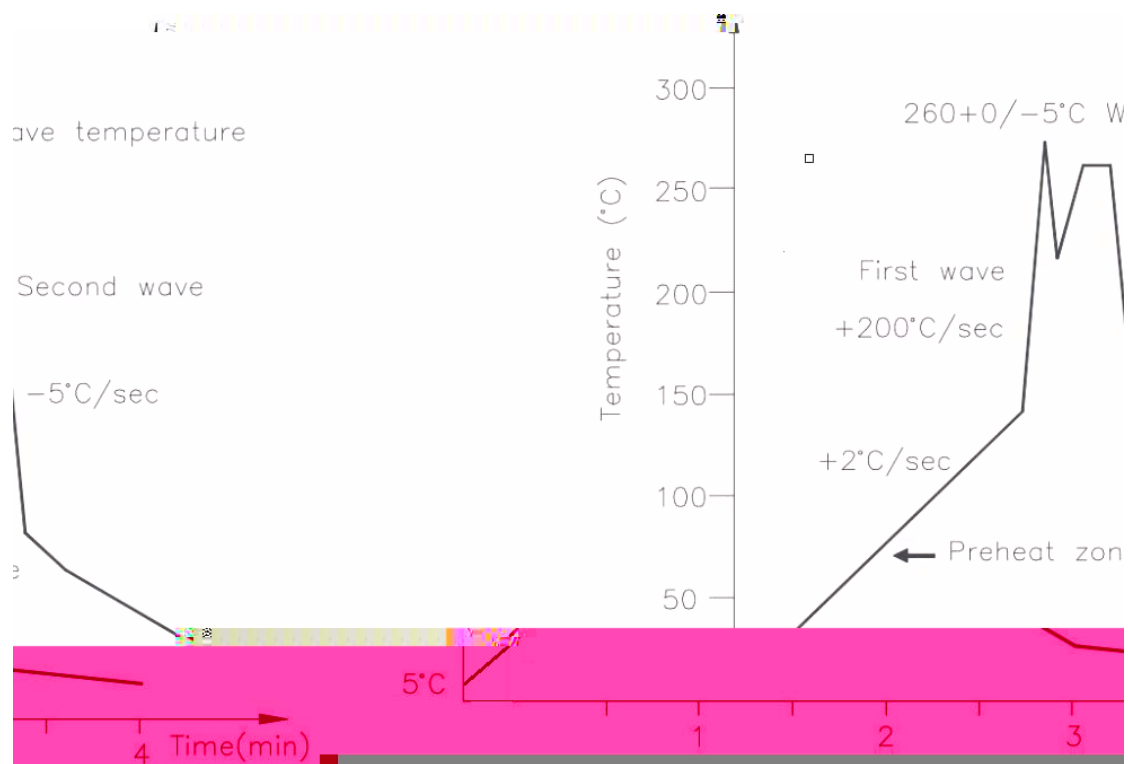
外箱码

“XXXXXXXXXXXXXXXXXX” (一体机序列码)

Made in China



% " "



Temperature	$380+0/-5^{\circ}\text{C}$
Time	3 sec max

% ("

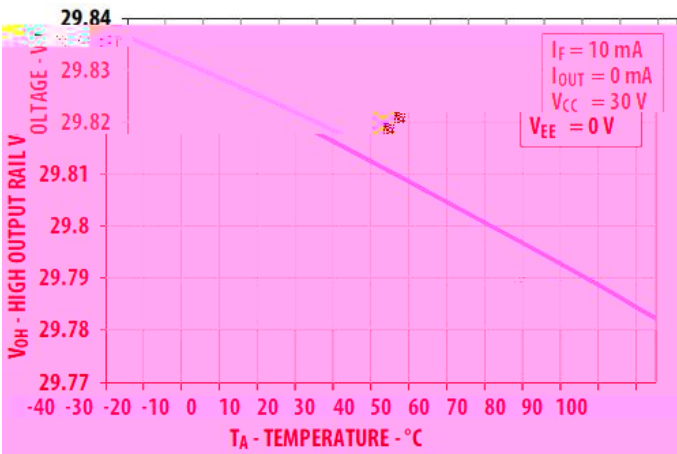


Figure 1. High output rail voltage vs. temperature

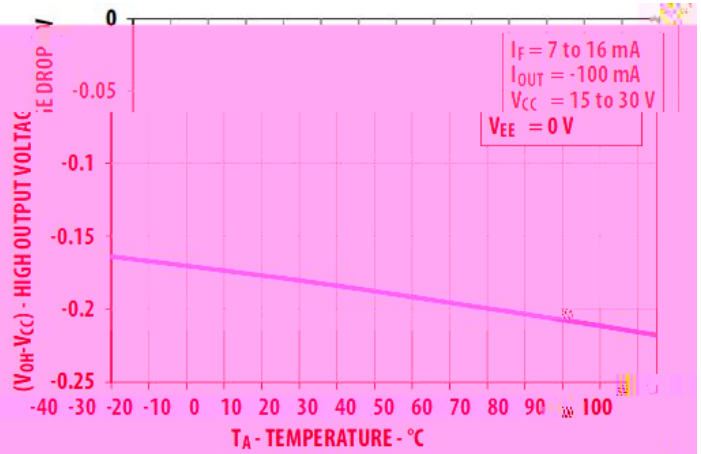


Figure 2. V_{OH} vs. temperature

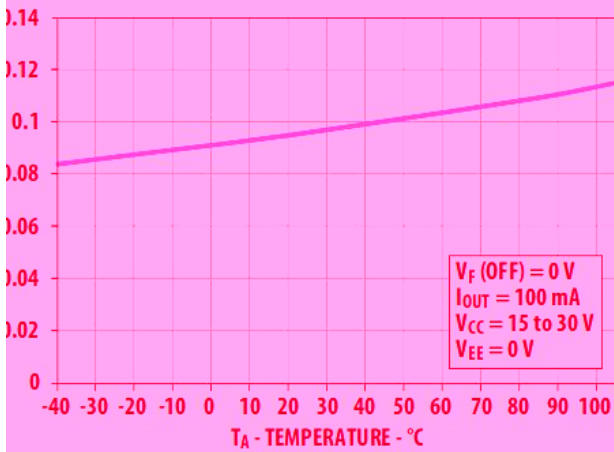


Figure 3. V_{OL} vs. temperature

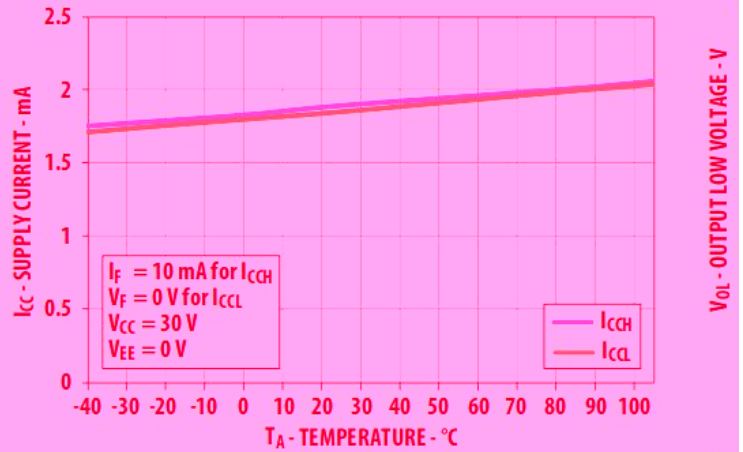
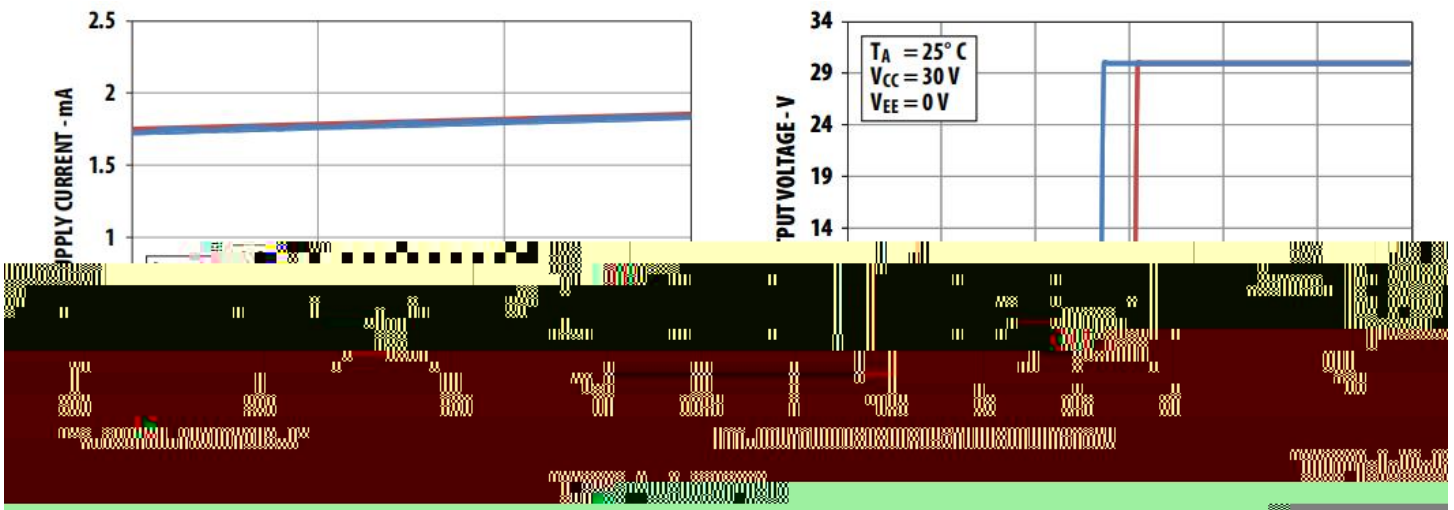


Figure 4. I_{CC} vs. temperature



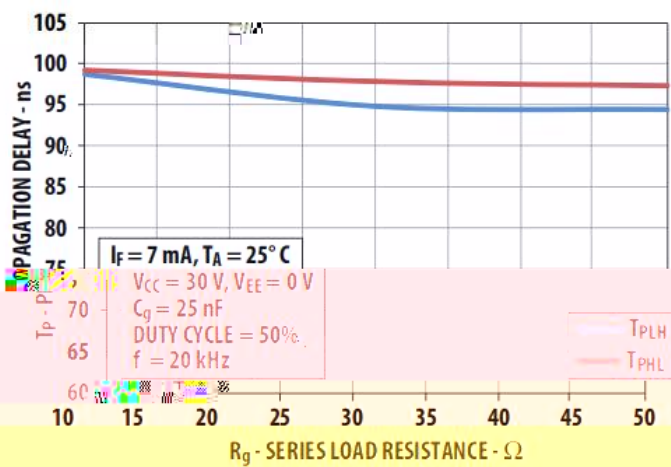
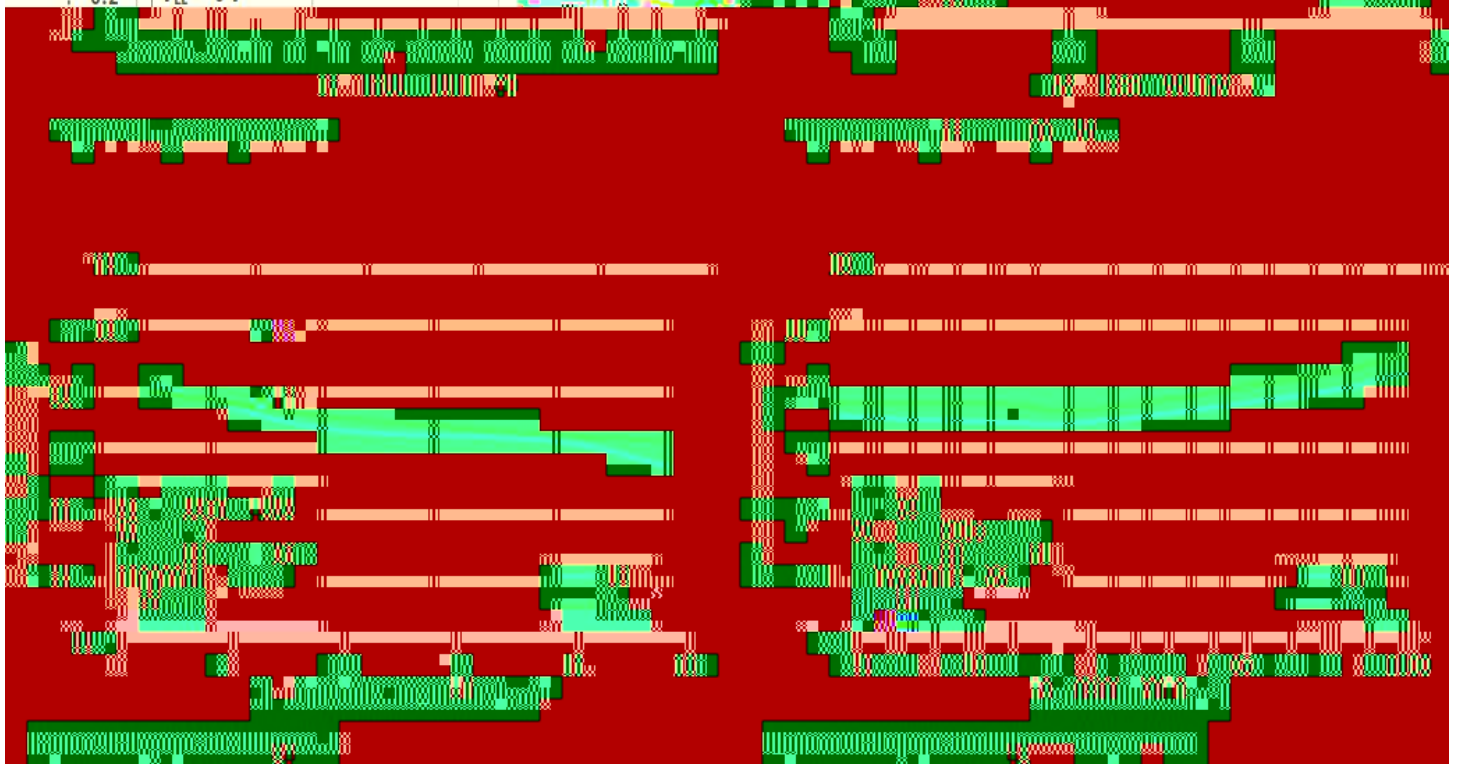
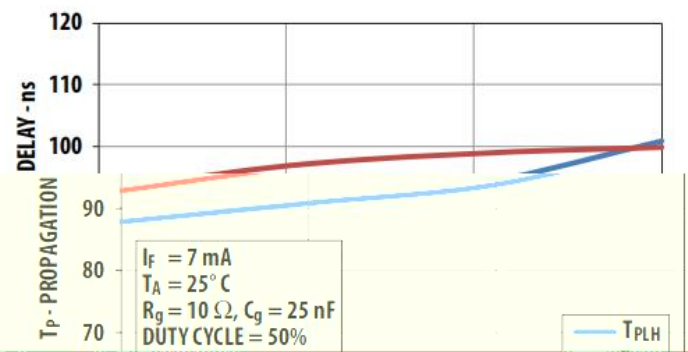


Figure 11. Propagation delay vs. R_g

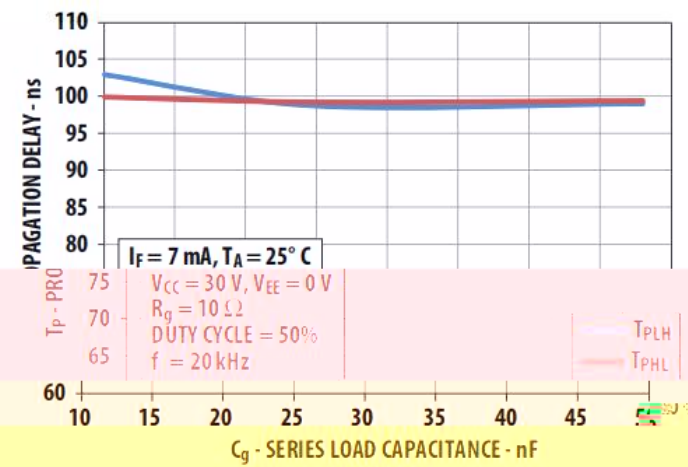


Figure 12. Propagation delay vs. C_g

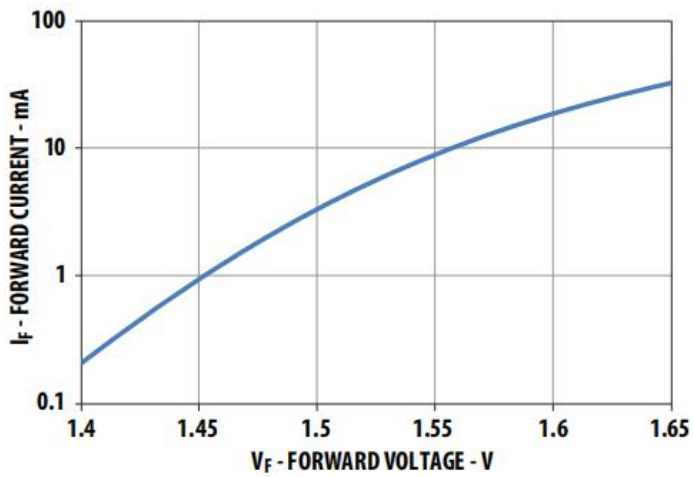


Figure 13. Input current vs. forward voltage

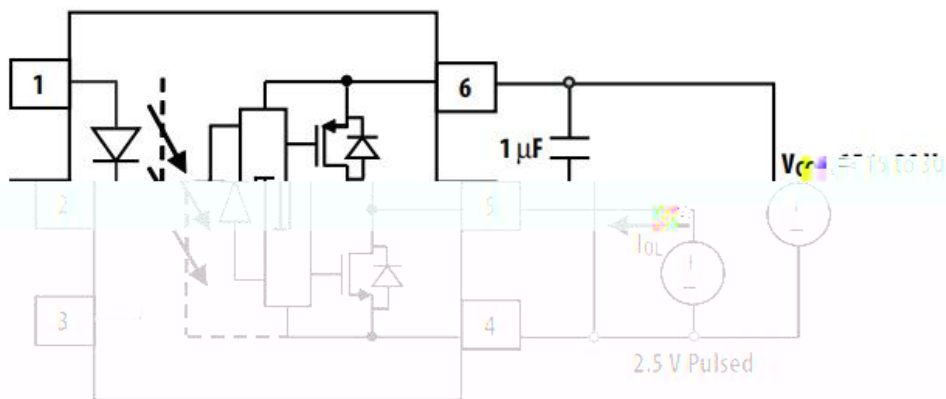
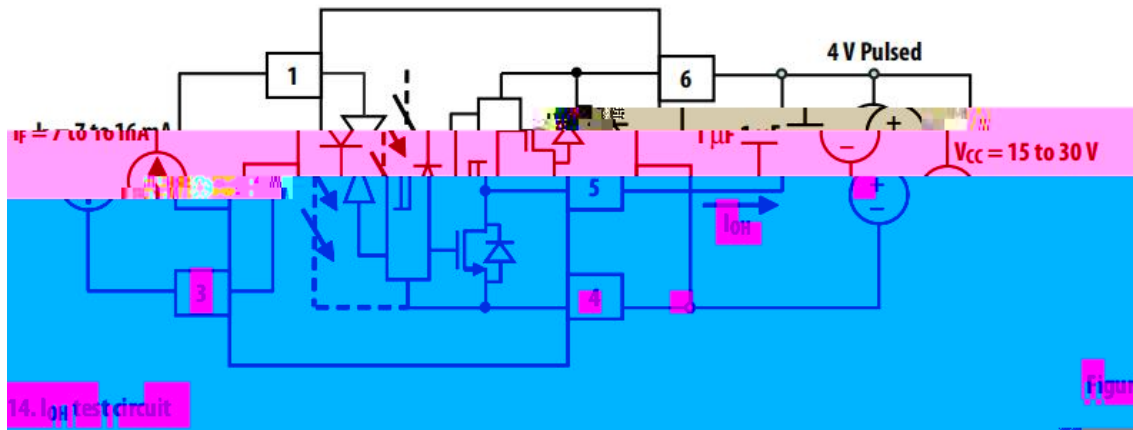


Figure 15. I_q test circuit

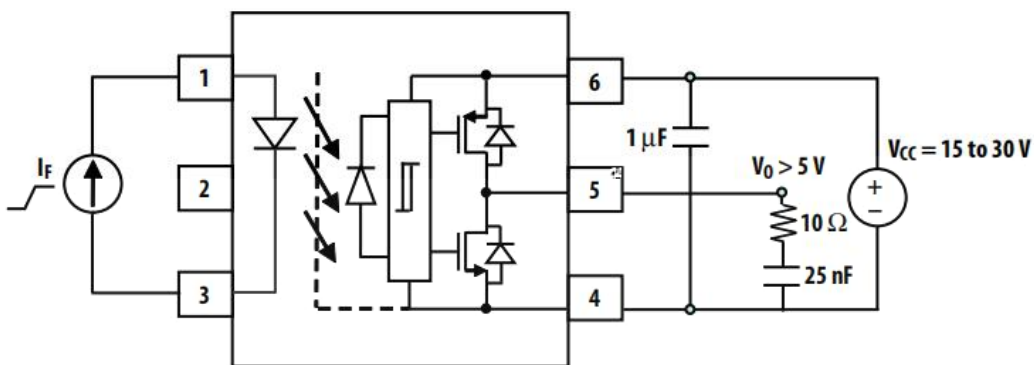
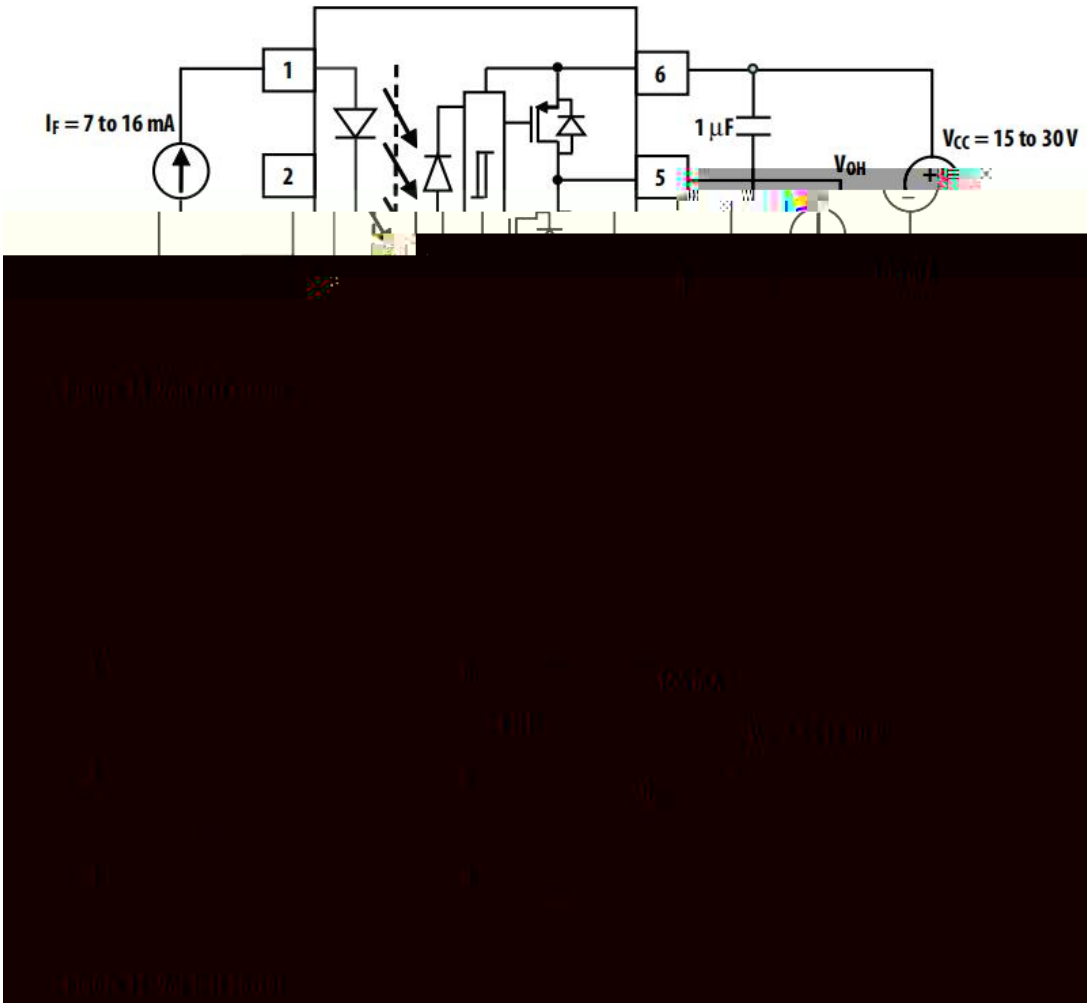


Figure 18. I_{FLH} test circuit

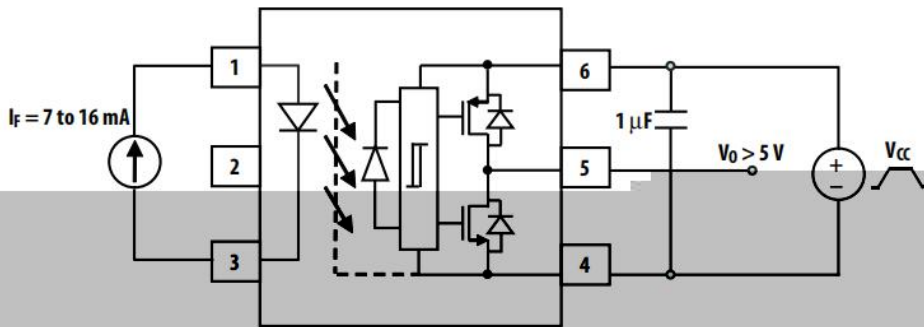


Figure 19. UVLO test circuit

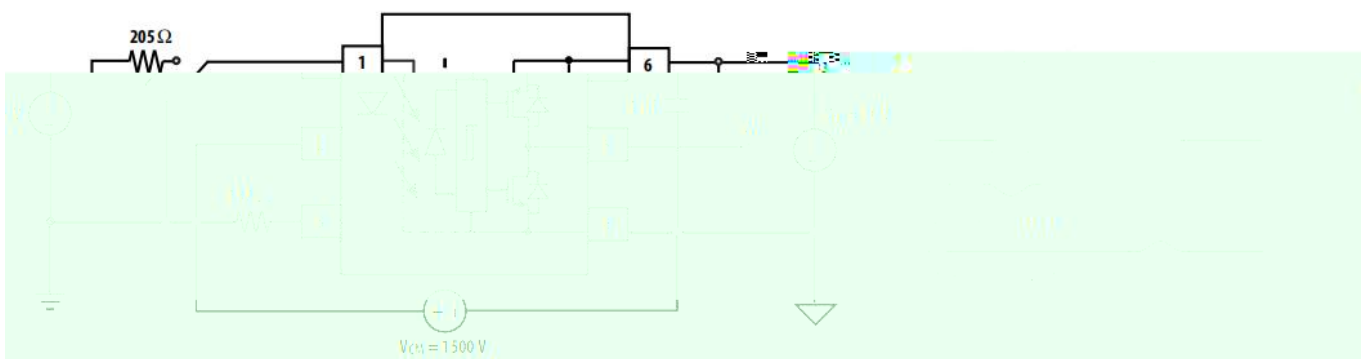
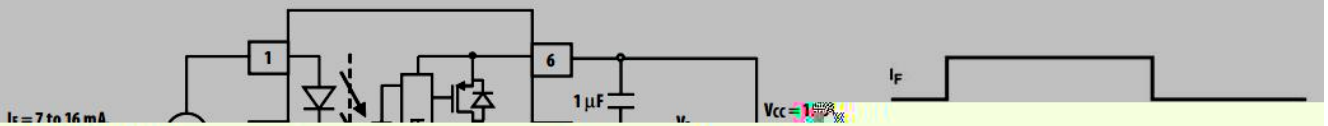


Figure 21. CMR test circuit with split resistors network and waveforms