



ORIENT

Photo coupler

Product Data Sheet

Part Number: OR-AQV258HP5

Customer: _____

Date: _____

一级代理商：

深圳市弗瑞鑫电子有限公司

地址：深圳市宝安区西乡大道302号金源商务大厦B座三楼

frxelec



1.

(1) Battery Connector Automotive B

at!o
at 2

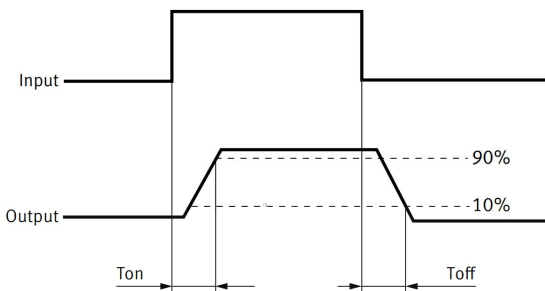


4.

5.

	Forward Voltage	VF	---	1.15	1.5	V	IF = 10mA
	Reverse Current	IR	---	---	10	μA	VR = 10V
	Off State leakage Current	Ileak	---	---	10	μA	IF = 0mA, VL = Max.
	On Resistance	Rd(ON)	---	50	100		IF = 5mA, IL = Max, t = 1s
	Output Capacitance	C(out)	---	85	---	pF	VL = 0V, f = 1MHz
	LED turn on Current	IF(on)	---	1.8	3	mA	IL = Max.
	LED turn off Current	IF(off)	0.4	1.7	---	mA	IL = Max.
	Turn On Time*	Ton	---	1.2	2	ms	IF = 5mA, IL = Max,
	Turn Off Time*	Toff	---	0.06	0.2		
	Isolation Resistance	RI-O	5×10 ¹⁰	1×10 ¹²	---		V I-O = 500V DC
	Isolation Capacitance	CI-O	---	1.5	---	pF	V = 0V, f = 1MHz

*Turn on/Turn off time





6.

AQV258HP5 = Part Number

U = Lead form option (S, M or none)

Y = Tape and reel option (TA,TA1 or none).

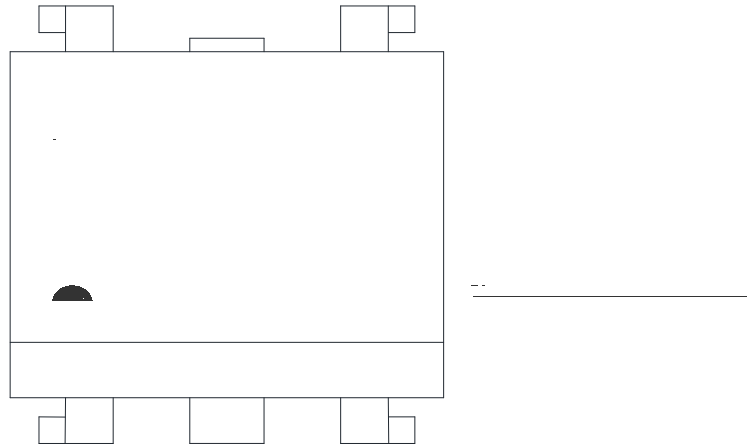
Z = 'V' code for VDE safety (This options is not necessary).

(BYD) = Customer Code.

* VDE Code can be selected.

None	Standard DIP-5	66 units per tube
M	Wide lead bend (0.4 inch spacing)	66 units per tube
S(TA)	Surface mount lead form (low profile) + TA tape & reel option	1000 units per reel
S(TA1)	Surface mount lead form (low profile) + TA1 tape & reel option	1000 units per reel

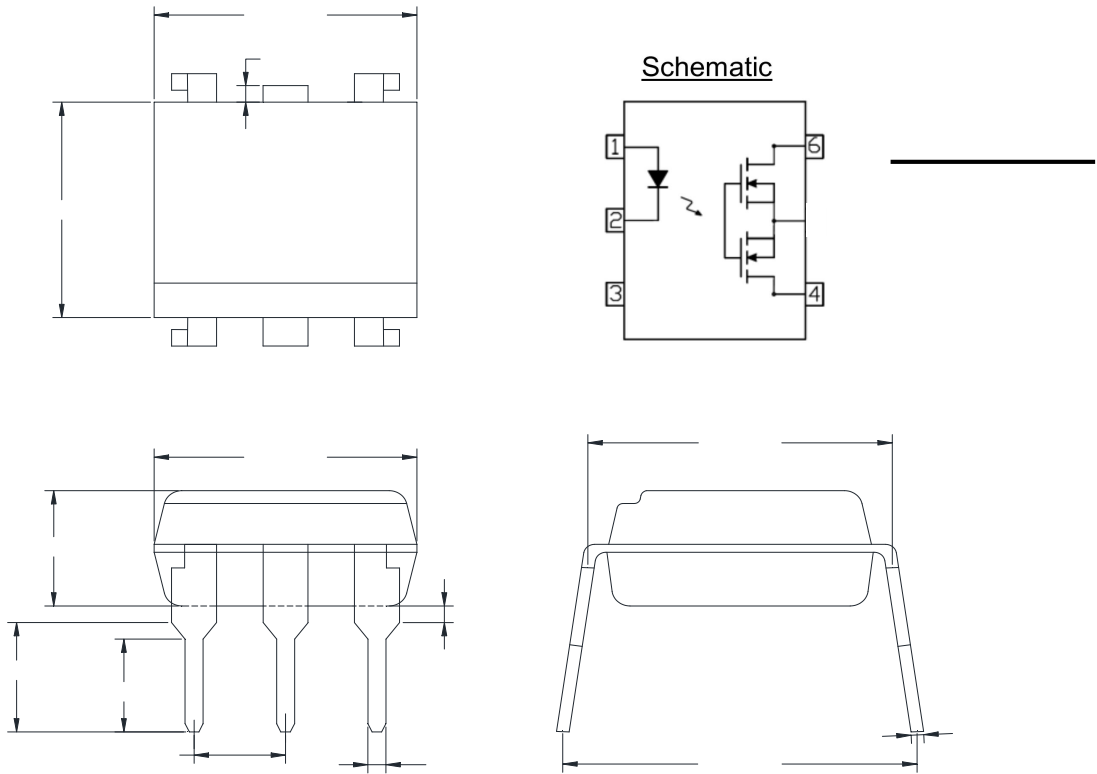
7.



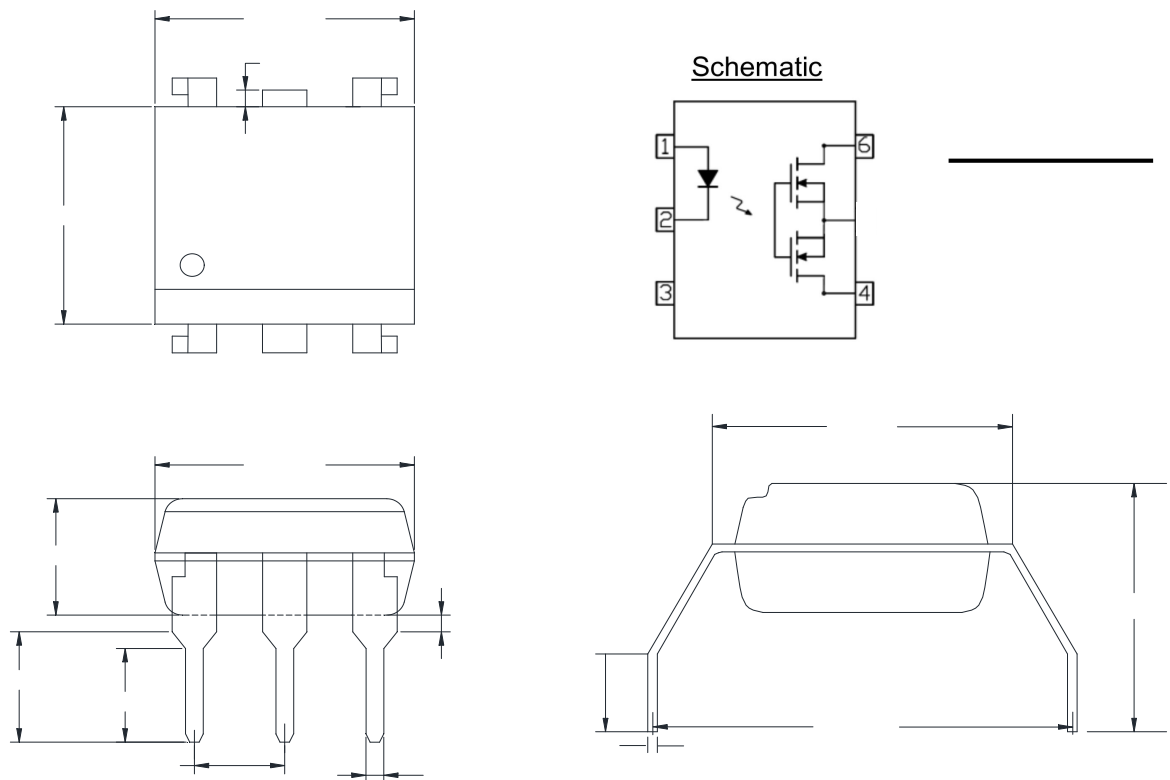
1. Manufacturer : ORIENT.
2. Part Number : AQV258H
3. Year Code '22' means '2022' and so on.
4. Week Code 01 means the first week, 02 means the second week and so on.
5. VDE Code (Optional)
6. Anode.
7. Characteristic code H

8.

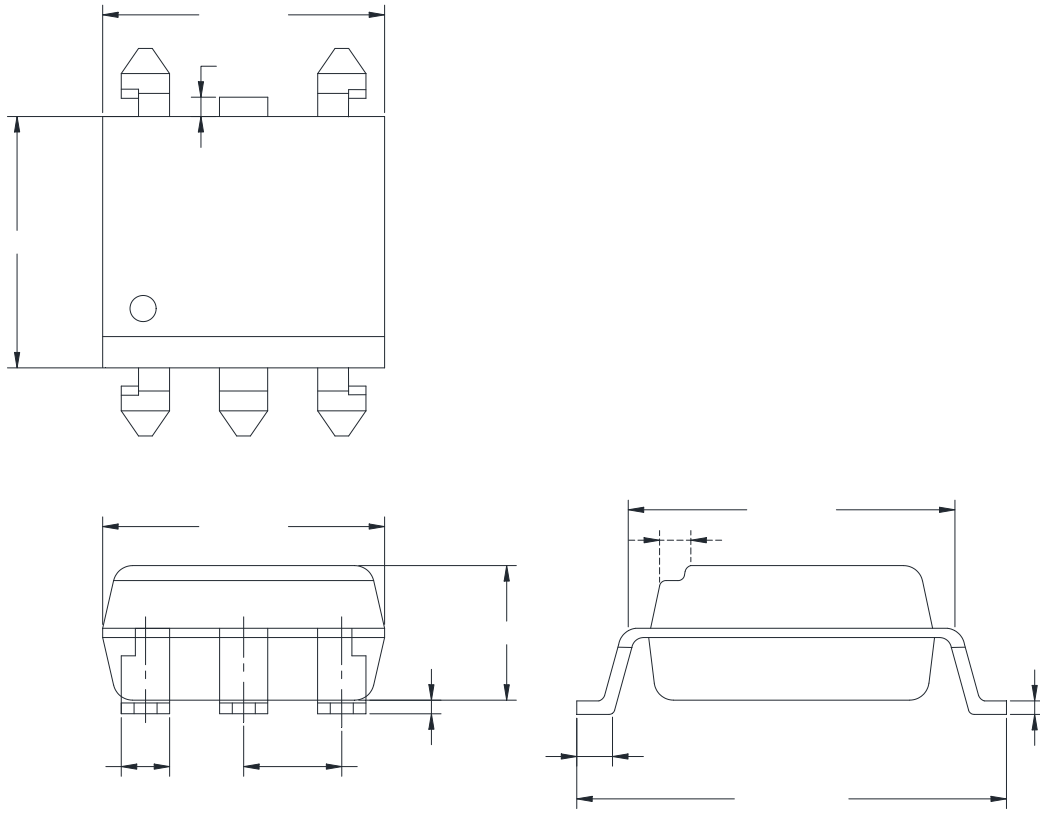
(1).OR-AQV258HP5



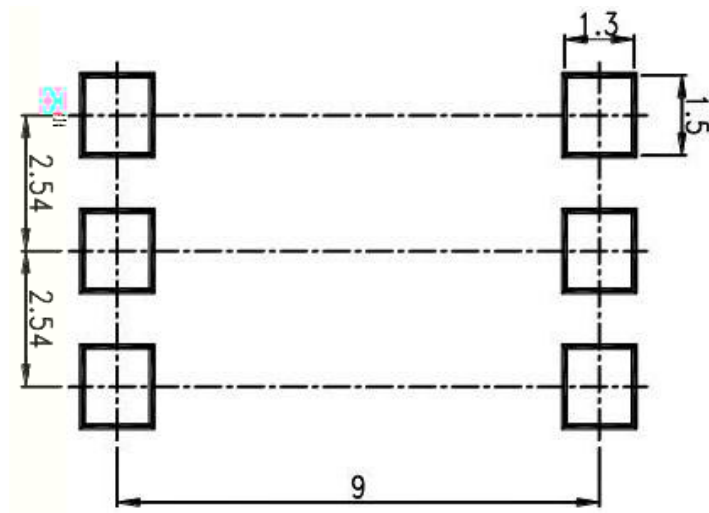
(2).OR-AQV258HP5M



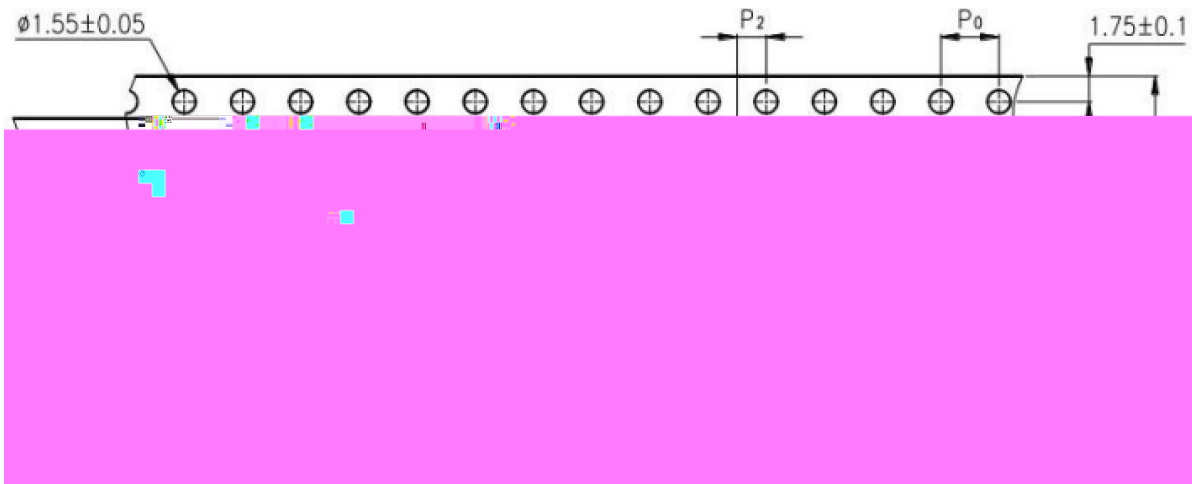
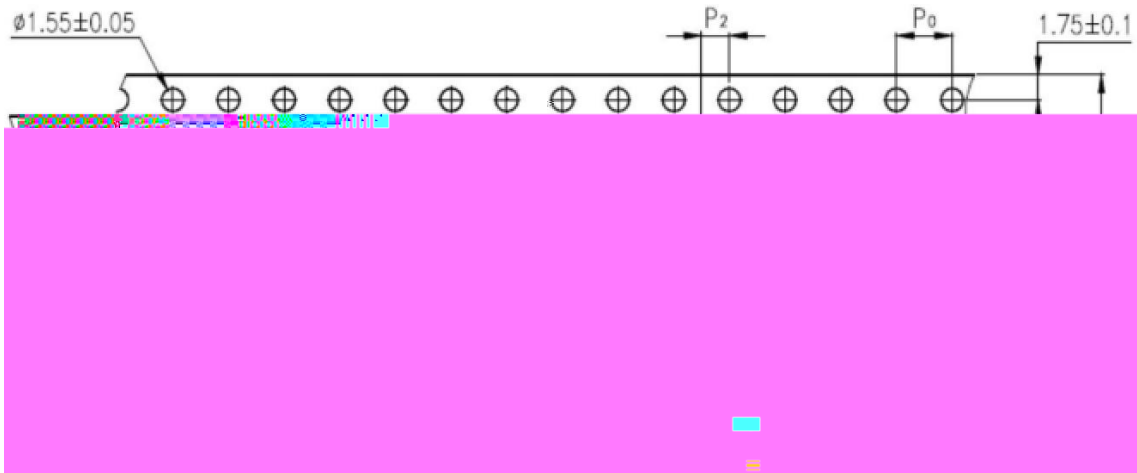
(3).OR-AQV258HP5S



9.



10.



Description	Symbol	Dimension in mm (inch)
Tape wide	W	16±0.3 (0.63)
Pitch of sprocket holes	P ₀	4±0.1 (0.15)
Distance of compartment	F	7.5±0.1 (0.295)
	P ₂	2±0.1 (0.079)
Distance of compartment to compartment	P ₁	12±0.1 (0.472)

Package Type	TA/TA1
Quantities(pcs)	1000

11.

DIP/M type

Packing Information	

SOP type

Packing Information	





Material Code : 120PCXXXXXX

P/N : OR-XXXXXX

Lot No. : XXXXXX-XXXX-TX-X

D/C : XXXX

Qty : XXXX PCS

内箱码

外箱码

“XXXXXXXXXXXXXXXX” (一体机序列码)

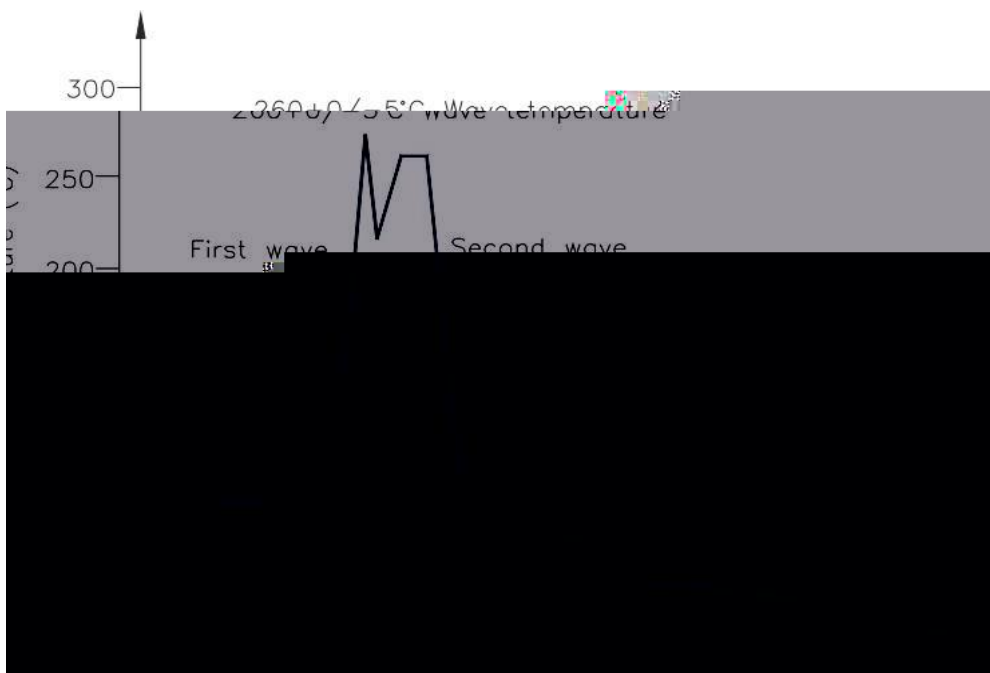
Made in China

1. Material Code :Product ID.
2. P/N :Contents with "Order Information" in the specification.
3. Lot No. :Product data.
4. D/C :Product weeks.
5. Quantity :Packaging quantity.

Shhhhhh

One time soldering is recommended within the condition of temperature.

Temperature	260+0/-5°C
Time	10 sec
Preheat temperature	5 to 140°C
Preheat time	30 to 80 sec



Allow single lead soldering in every single process. One time soldering is recommended.

Temperature	380+0/-5°C
Time	3 sec max

13.

