

一级代理商：

深圳市弗瑞鑫电子有限公司

地址：深圳市宝安区西乡大道302号金源商务大厦B座三楼

0 -
0 - 0 0

.frxelec.

5. Ab ol e Ma im m Ra ing (Ta=25)

Pa ame e

S mbol

Ra ed Val e

Uni

0

1

100

- 0

00

- 0

00

()

100

()

(1 10)

1

1

00

0

*1

0

- 0 + 110

- + 1

*

(□)

□

*1

1

□

, . . . 0 0% . . .

,

1, &

,

,

*

10

7. O de Info ma ion

Pa N mbe

OR-M302X-W-Y-Z

O OR-M305X-W-Y-Z

No e

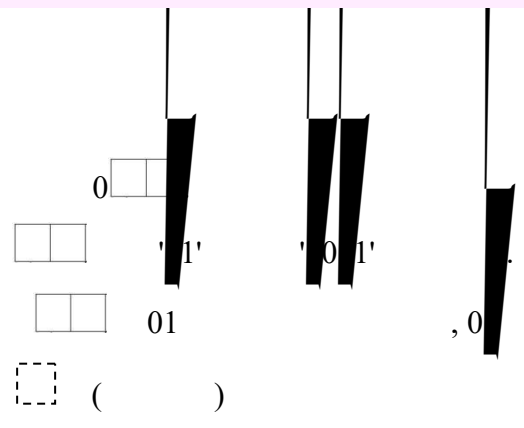
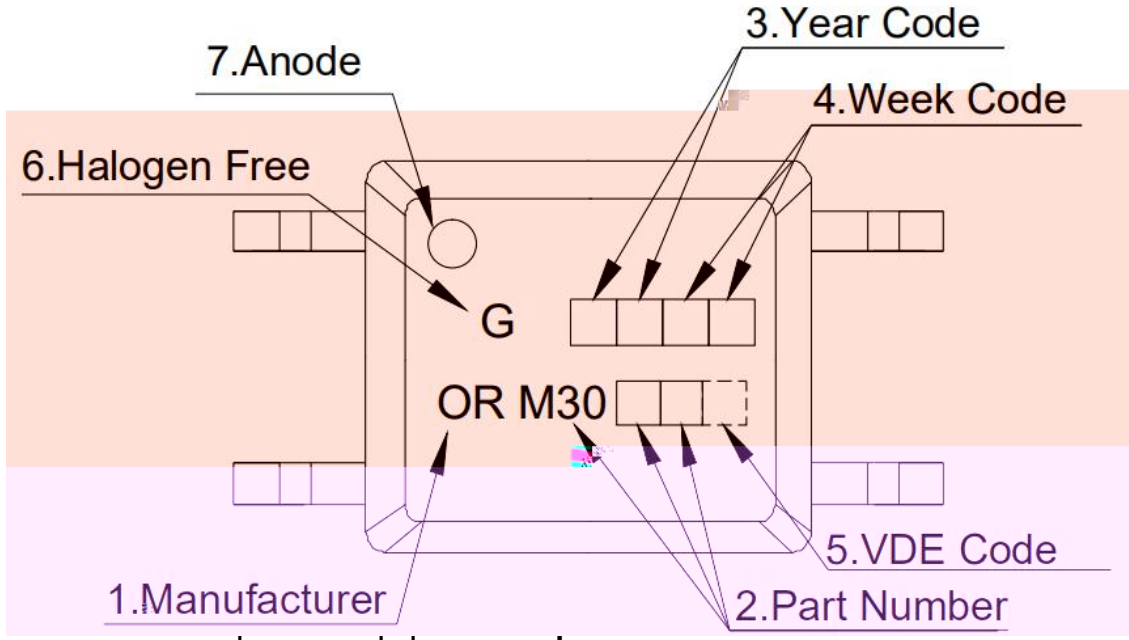
(0,1,)
(1).

().

*

O ion	De c i ion	Packing an i
	()+ &	000
1	()+ 1 &	000

8. Naming Rule

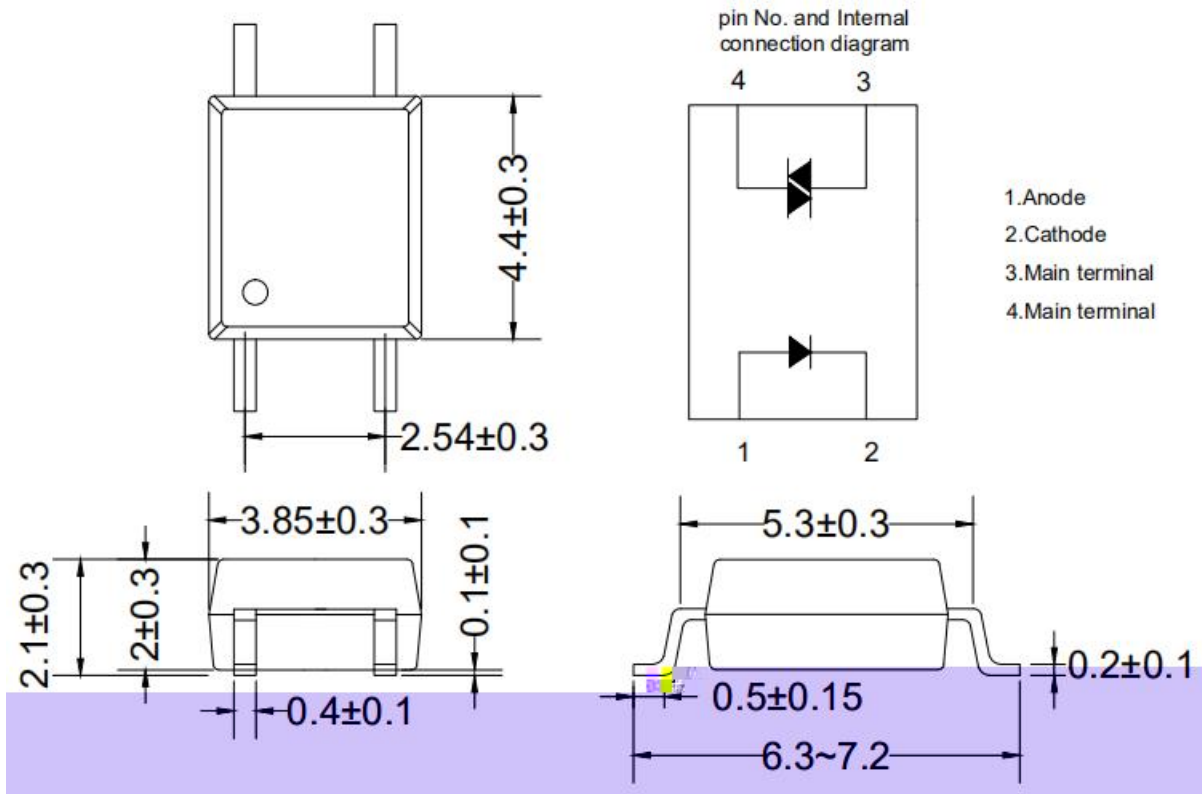


□

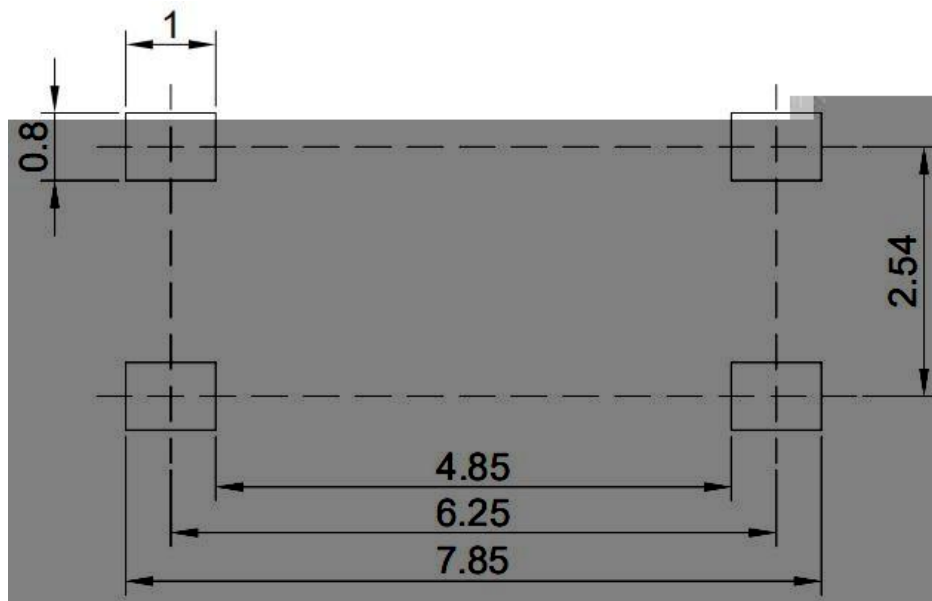
*

9. Package Dimension

- 0



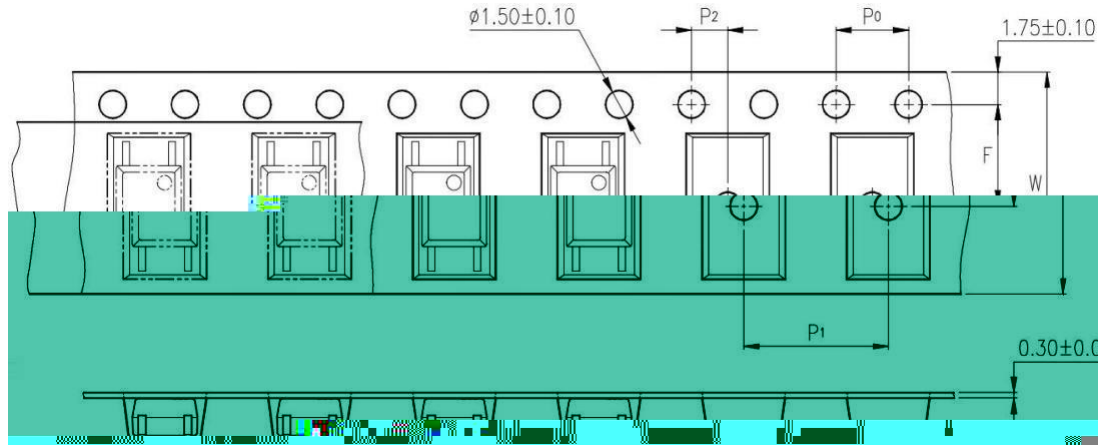
10. Recommended Foot Print Pattern (Mo n Pad)



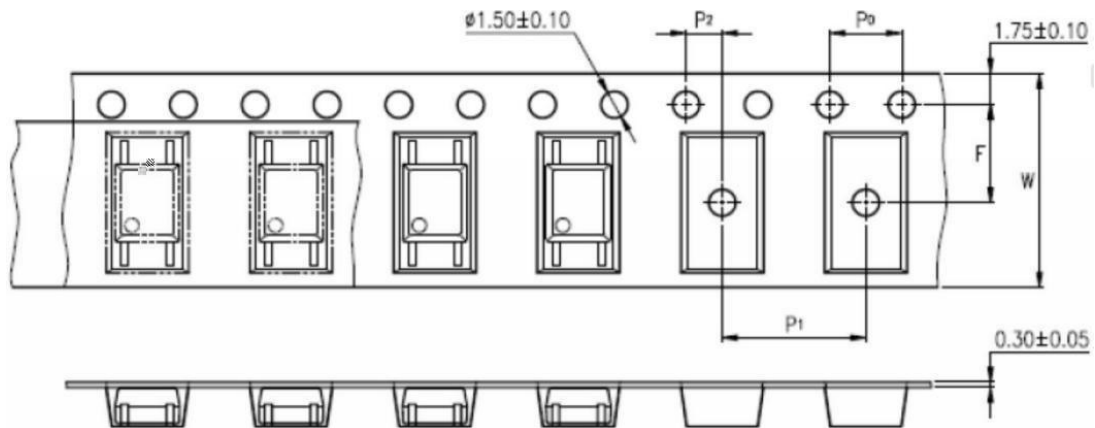
ni mm

11. Ta ing Dimen ion

(1) - 0 -



() - 0 - 1



		()
		1 0. 0. 1
	0	0.1 0.1
		. 0.1 0. 1
	1	1 0.1 0.0
		0.1 0. 1

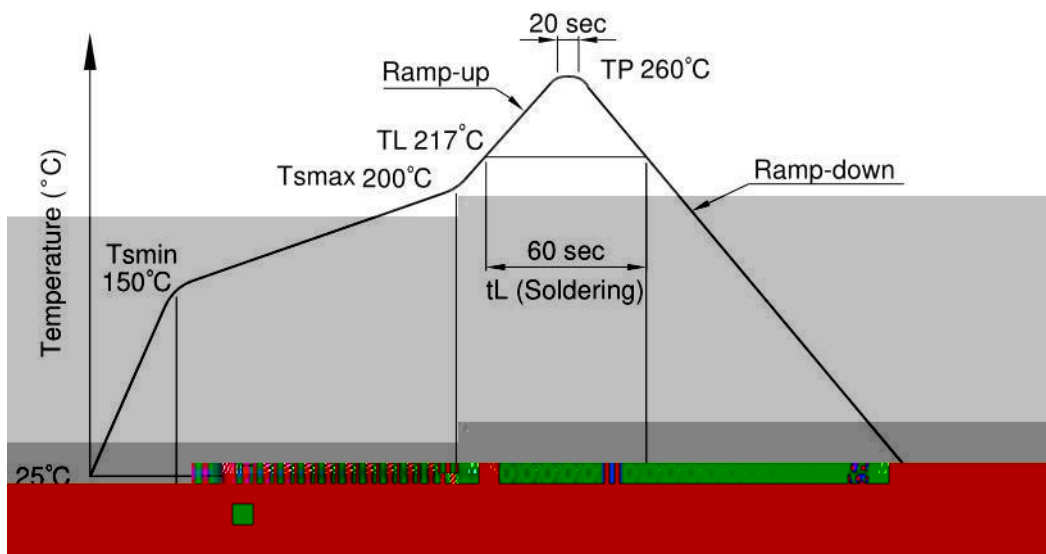
	/ 1
()	000



13. Temperature Profile Of Soldering

1 (- -0 0)

Profile item	Condition
- ()	0
- ()	00
- () ()	0 0
- ()	1
- ()	0
	0
	0
-	/
-	/



(111)

	0+0/- 10
	1 0 0 0



--	--

14. CHARACTERISTICS CURVES (TYPICAL PERFORMANCE)

Fig.1 Forward current vs Ambient temperature

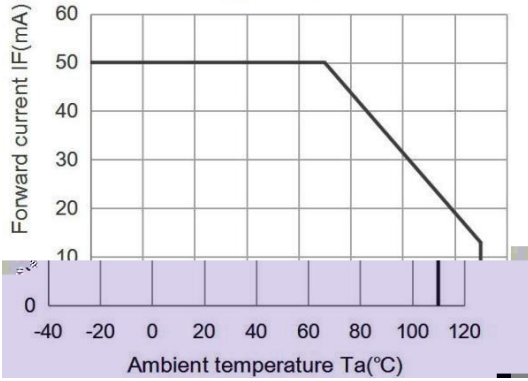


Fig.2 On-state current ITM (A) vs Ambient temperature

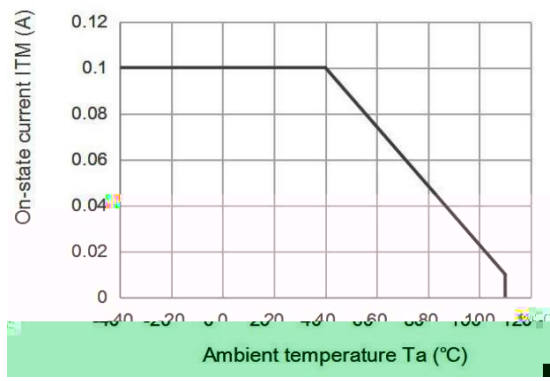


Fig.3 Minimum Trigger Current vs. Ambient temperature

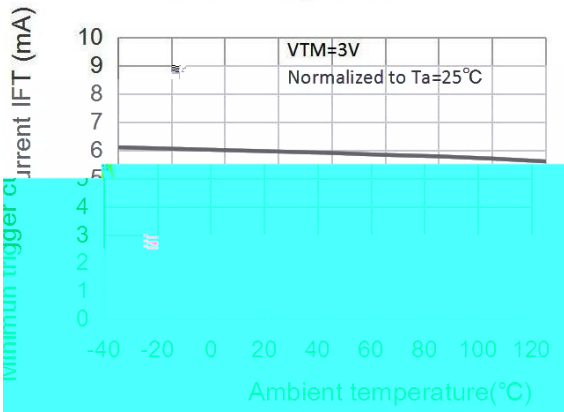


Fig.4 Forward current vs. Forward voltage

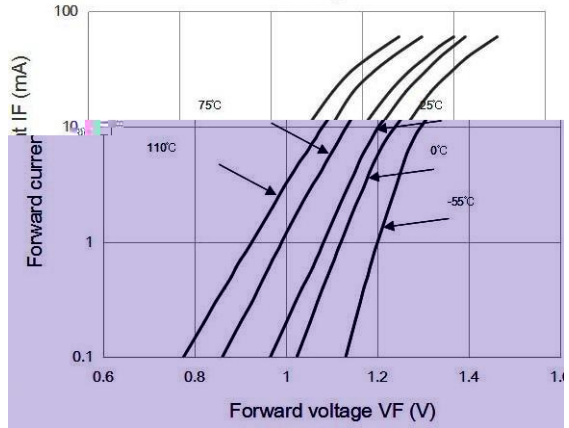


Fig.5 On-state voltage vs. Ambient temperature

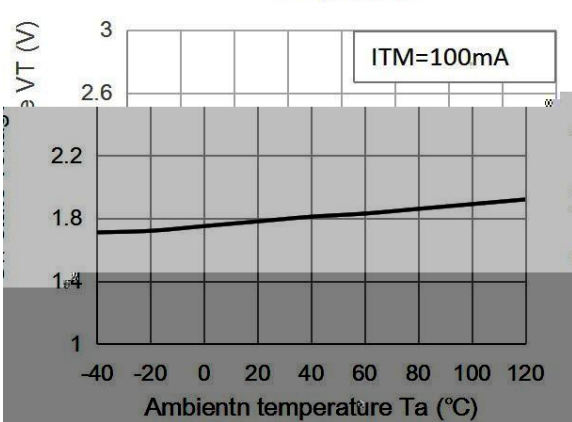


Fig.6 Holding current vs. Ambient temperature

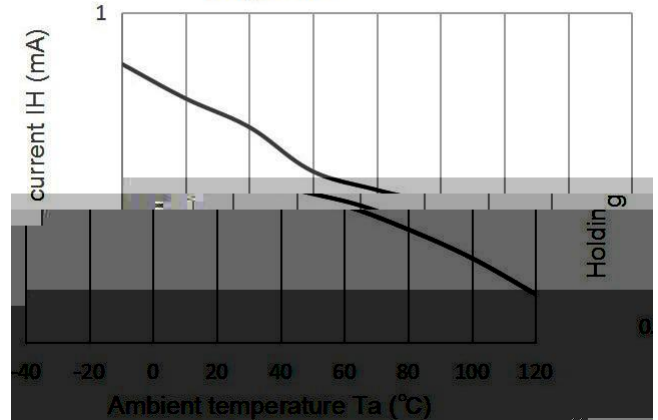


Fig.7 Repetitive peak off-state current vs. Temperature

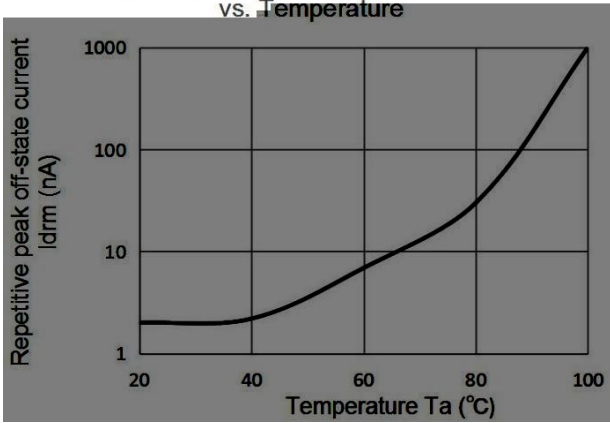
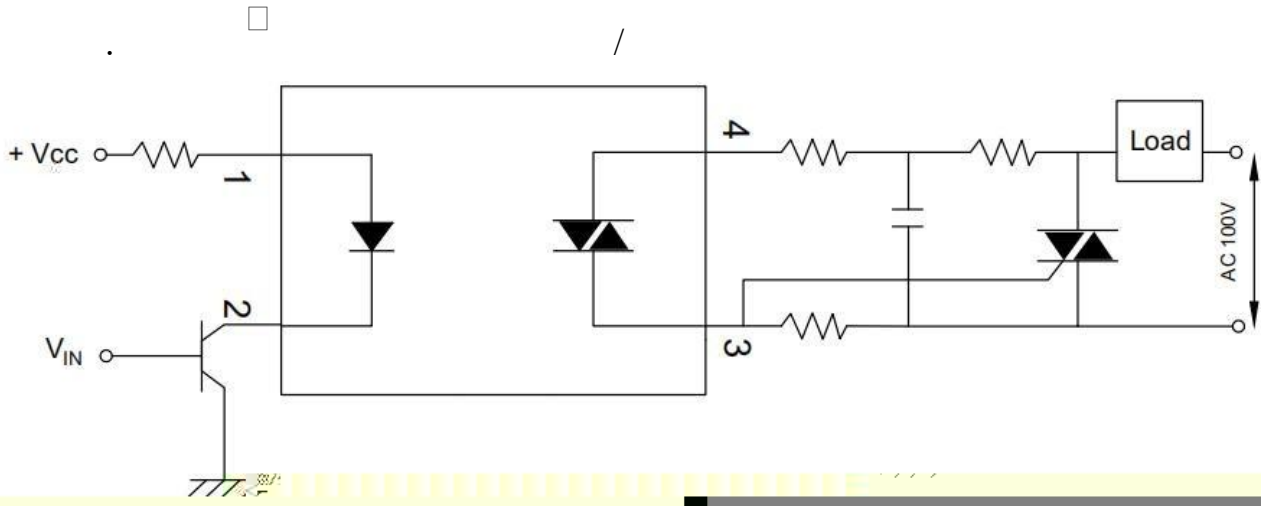
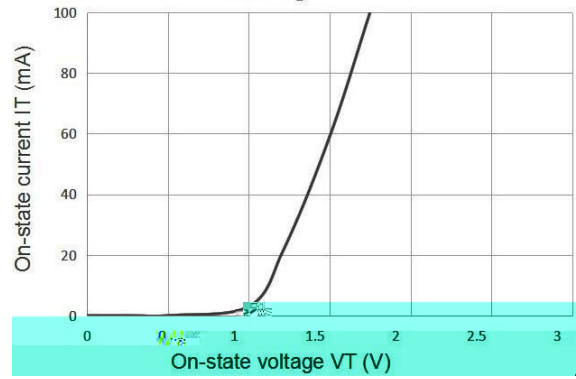
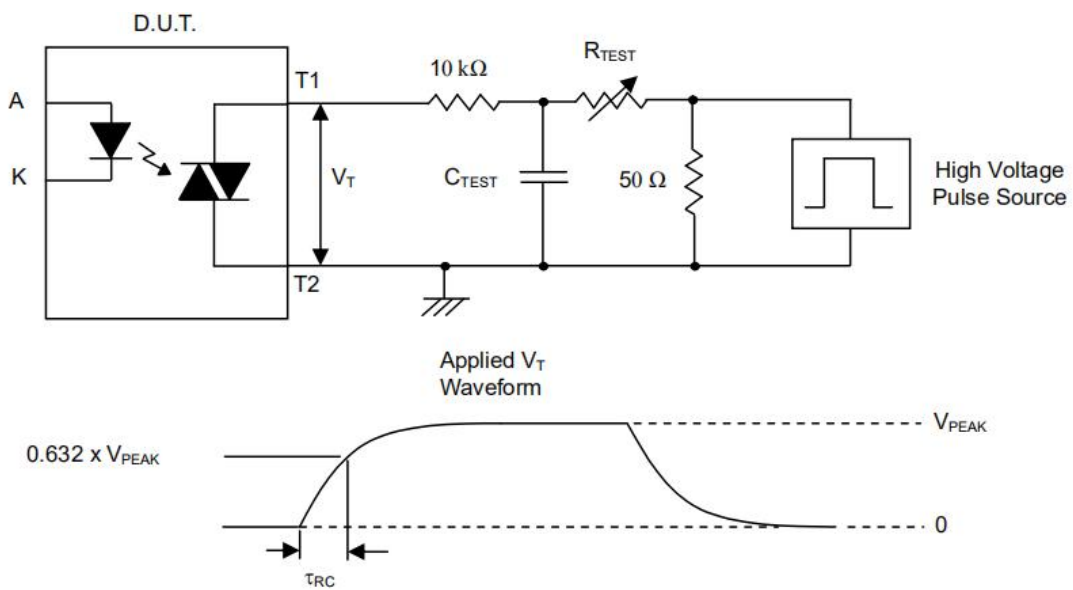


Fig.8 On-state current vs. On-state voltage



10. / &



Measurement Method

The high voltage pulse is set to the required V_{PEAK} value and applied to the D.U.T. output side through the RC circuit above. LED current is not applied. The waveform V_T is monitored using a x100 scope probe. By varying R_{TEST} , the dv/dt (slope) is increased, until the D.U.T. is observed to trigger (waveform collapses). The dv/dt is then decreased until the D.U.T. stops triggering. At this point, τ_{RC} is recorded and the dv/dt calculated.

$$dv/dt = \frac{0.632 \times V_{PEAK}}{\tau_{RC}}$$

$$dv/dt = \frac{0.632 \times V_{PEAK}}{\tau_{RC}}$$

For example, $V_{PEAK} = 600V$ for EL306X series. The dv/dt value is calculated as follows:

$$dv/dt = \frac{0.63 \times 600}{\tau_{RC}} = \frac{378}{\tau_{RC}}$$