

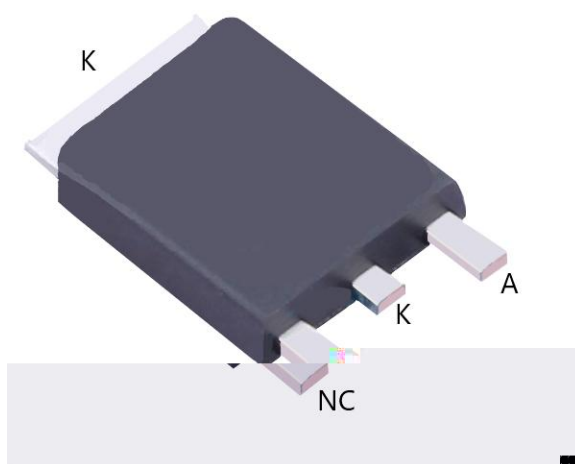
A

● B
●
●

●
●
●
●
●
●
●
●
●
●

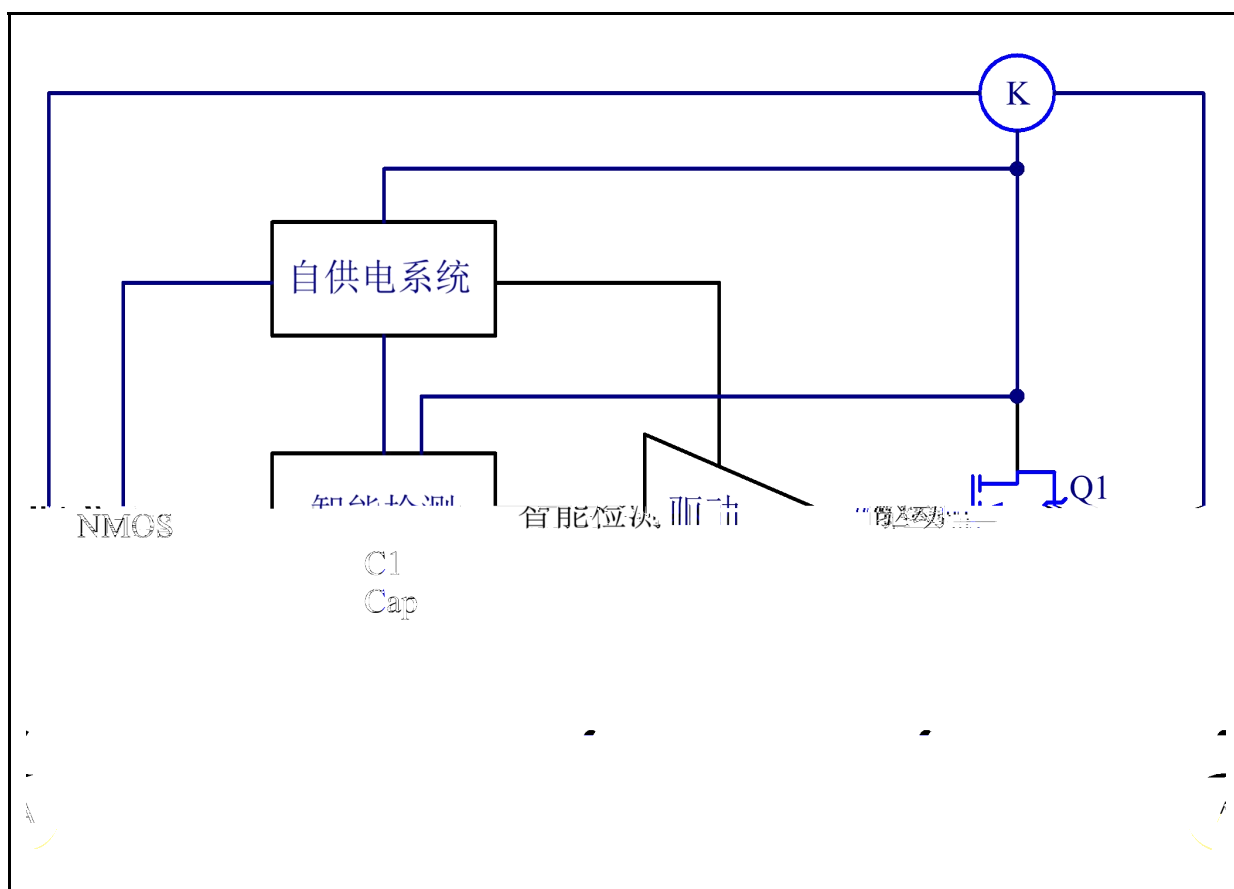
CC C

C



	C	
	A	

A



	B				
	C C				A
	C				A
	A				
	A				
	C				
B			±		
			±		

A

	CC					
	CC					
	A					
	A					

A

A

A

CC

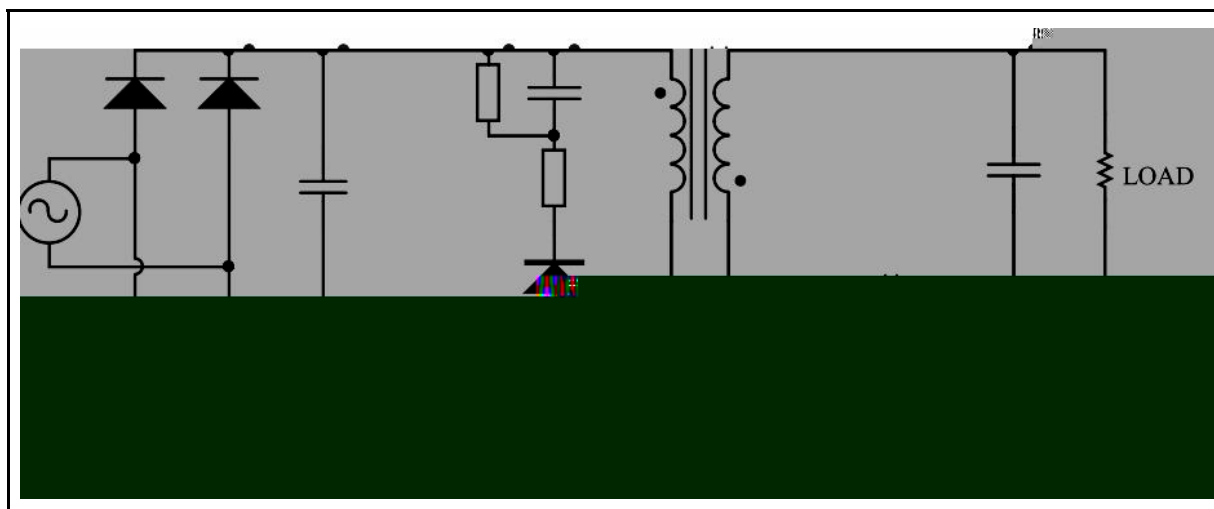
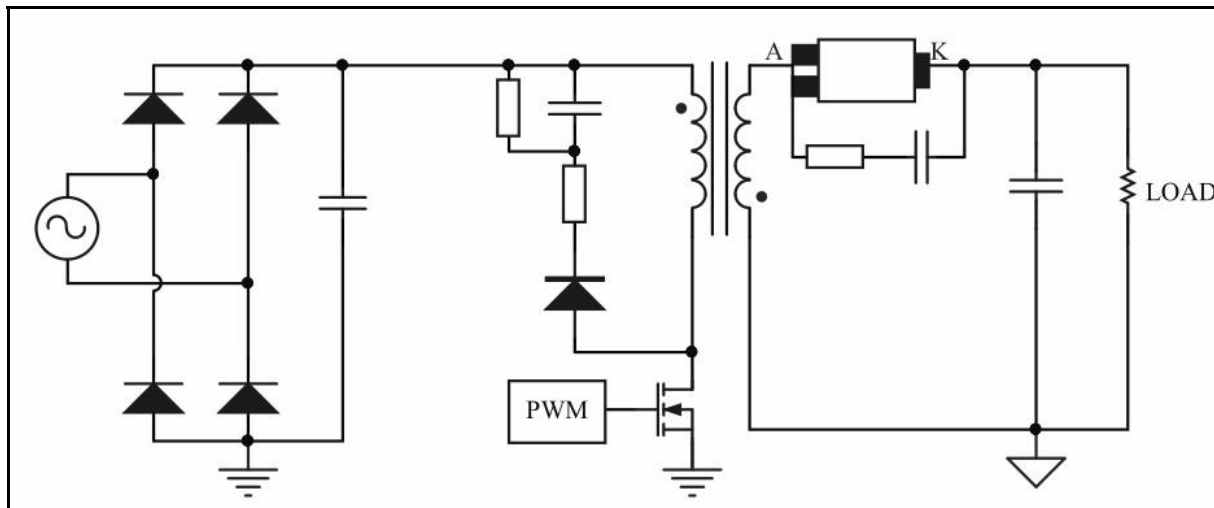
A

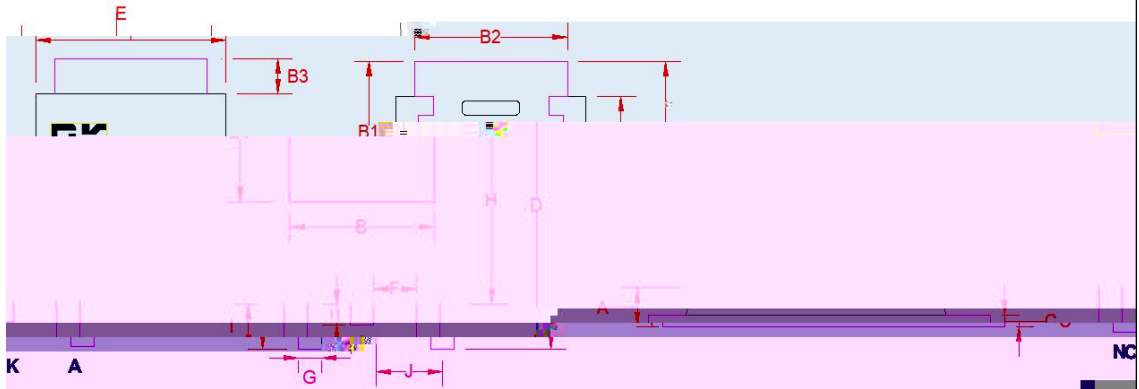
CC
C

C

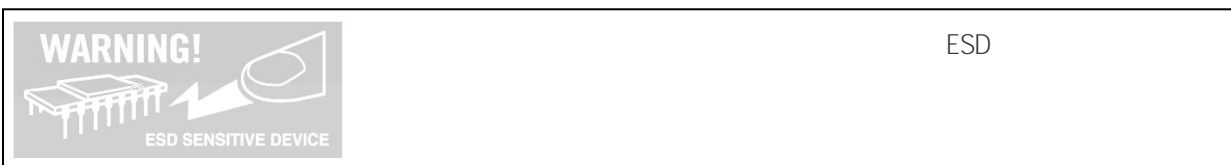
●

●





A			
B			
B			
B			
B			
C			
	B C		



-
-
-
-
-
-
-
-