

Typical Characteristics

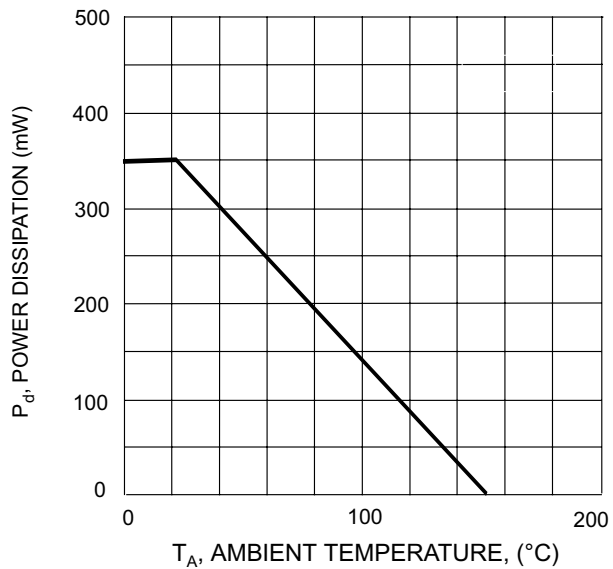


Fig. 1 Power Derating Curve

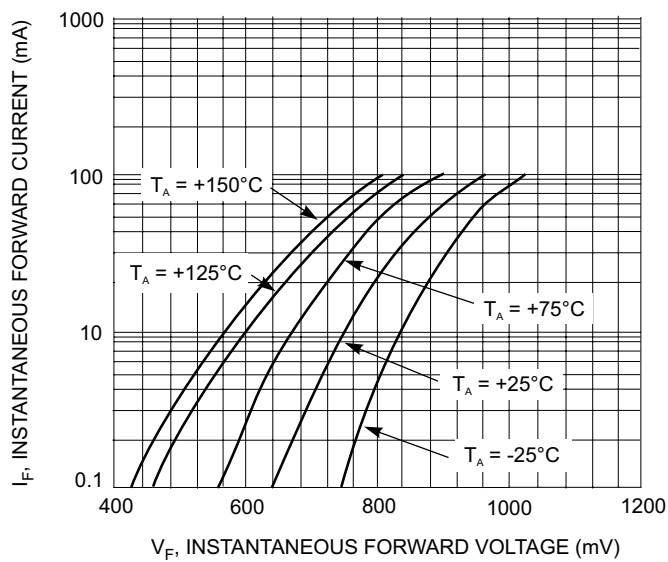
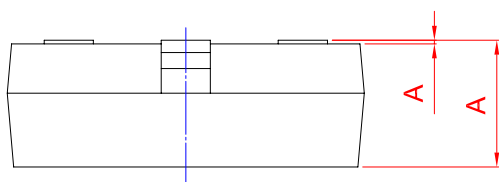
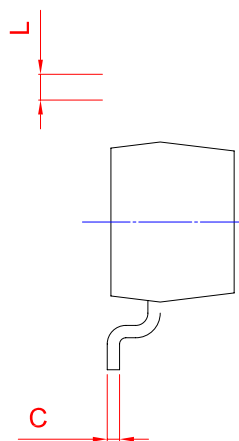
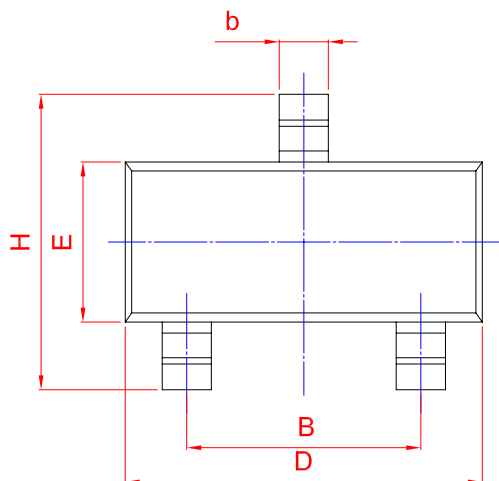
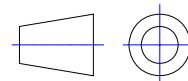


Fig. 2, Typical Forward Characteristics



UNIT	A				D	E		A1	
mm	1.								