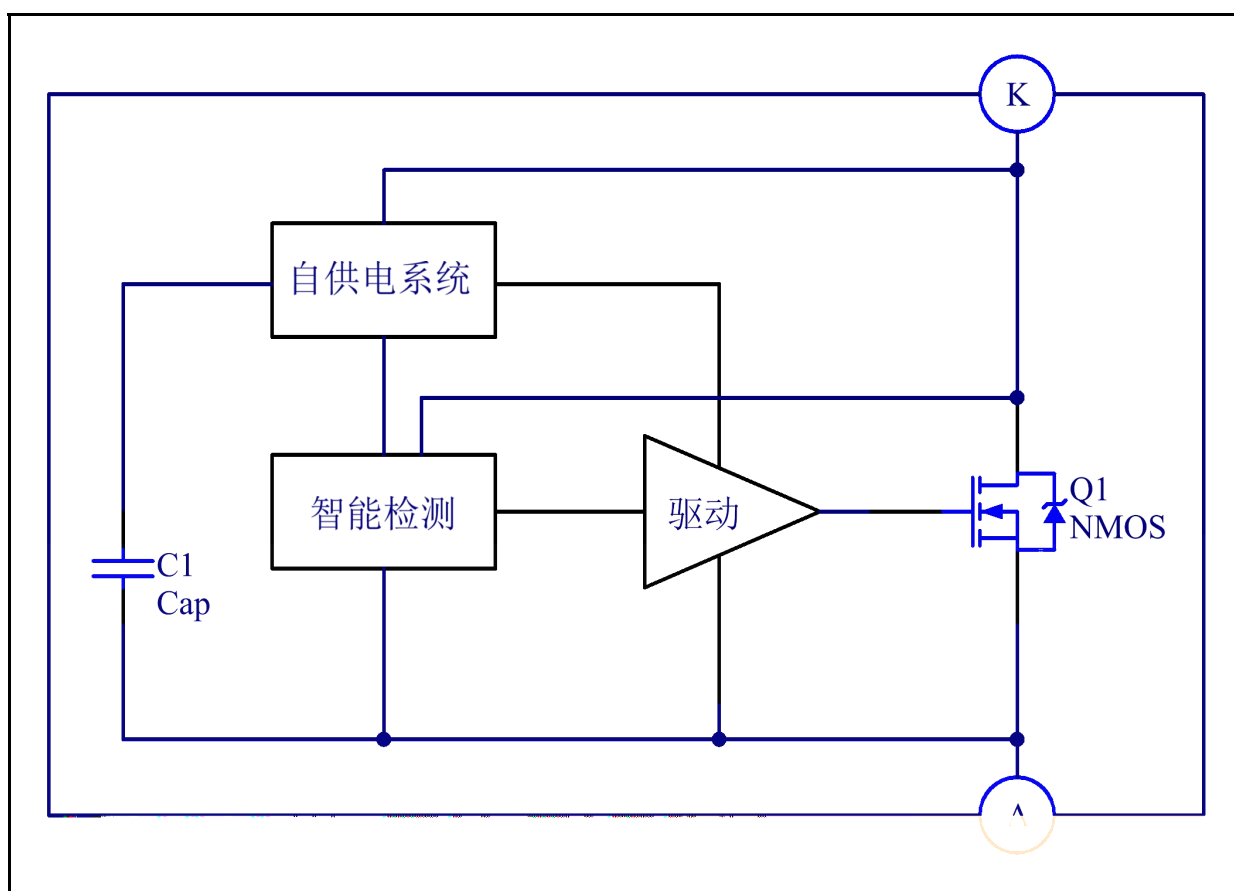


45

, DK5V85R15ST1

4A



NMOS	$V_{(BR)DSS}$	85			V
TO220	P_{DMAX}		33		W
	R_{JA}		62.5		$^{\circ}C/W$
	R_{JC}		3.8		$^{\circ}C/W$
	T_{STG}	-55		155	$^{\circ}C$
	T_J	-40		150	$^{\circ}C$
			260/5S		$^{\circ}C$

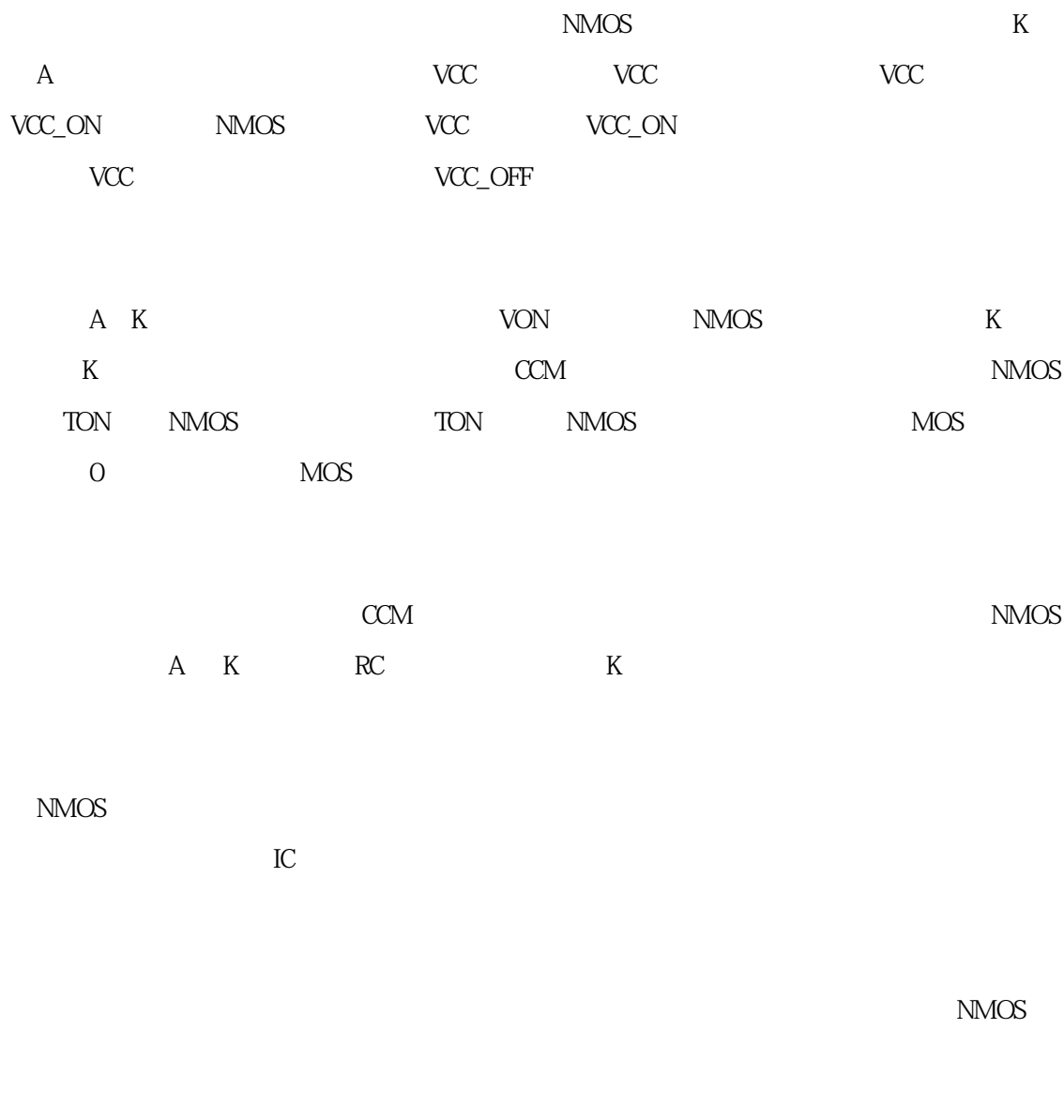
 $T_A = 25^{\circ}C$

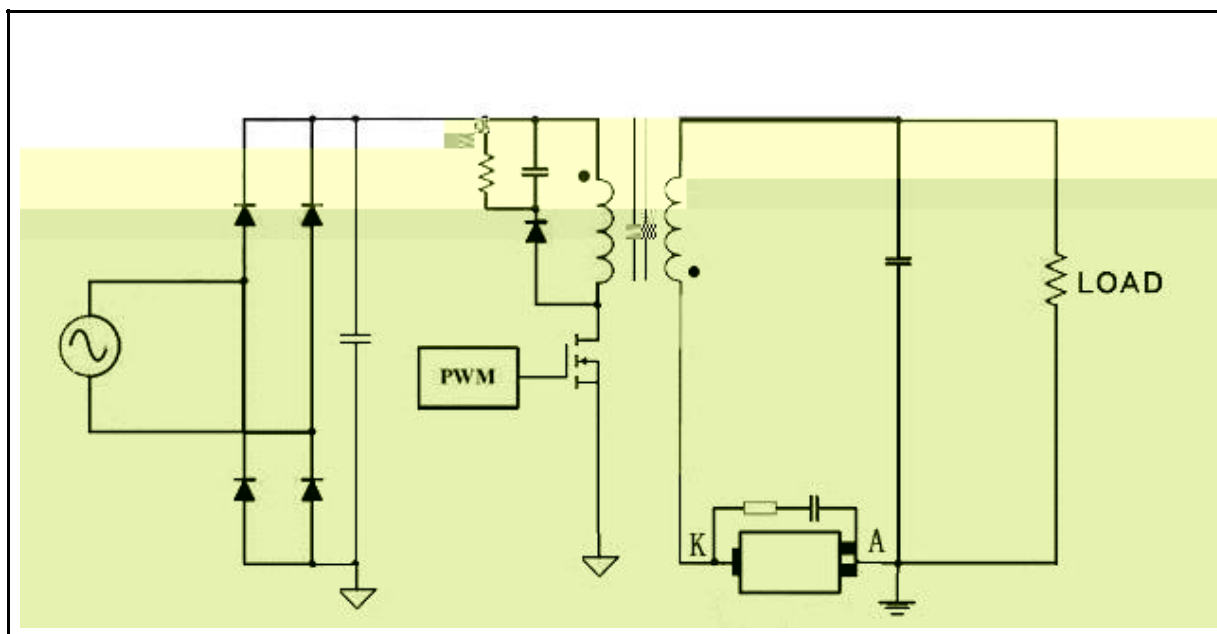
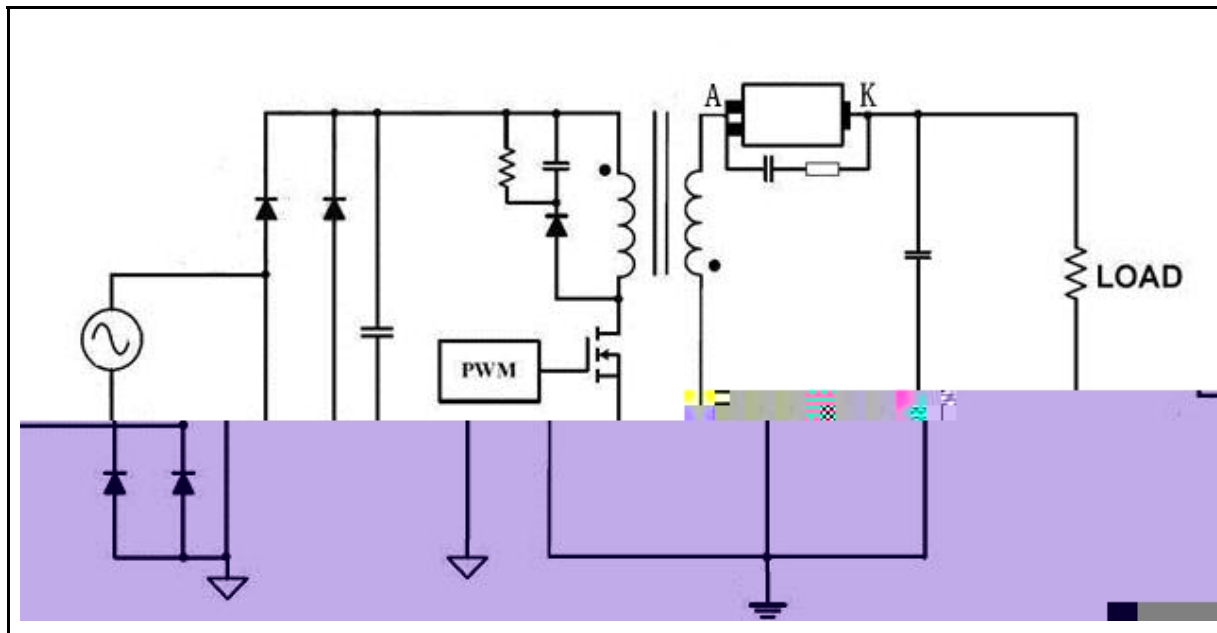
	V_{CC_ON}			7.2		V
	V_{CC_OFF}			3.3		V
	V_{OVP}			10		V
NMOS	V_{ON}	K		-220		mV
NMOS	T_{DON}				150	ns
NMOS	T_{DOFF}				50	ns
NMOS	T_{ON_MAX}			20		μs
NMOS	T_{ON_MIN}			200		ns
NMOS	T_{OFF_MIN}			500		ns
	T_D			400		ns
	F_S_MAX				150	KHz
NMOS	R_{DS_ON}				15	m

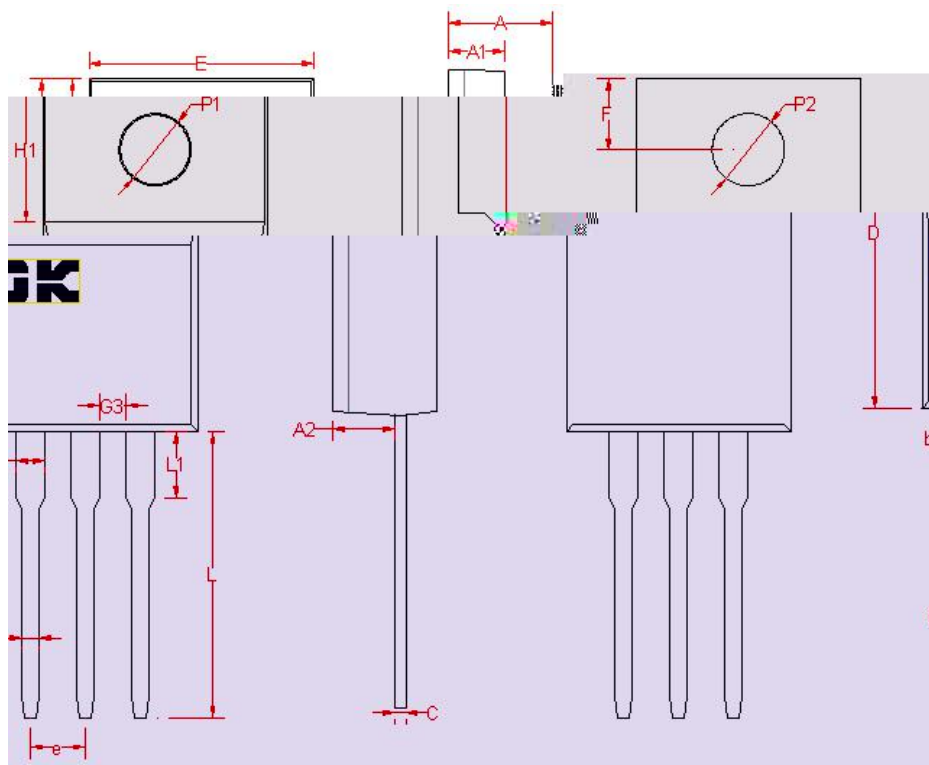
A

K

DK5V85R15ST1







A	4.65	4.72	4.80
A1	2.50	2.55	2.60
A2	2.70	2.75	2.80
C	0.50	0.55	0.60
E	10.05	10.15	10.25
H1	6.70REF		
D	15.80	16.00	16.20
G3	1.20	1.30	1.40
b1	1.25	1.35	1.45
b2	0.80	0.85	0.90
e	2.54BSC		
L	12.90	13.00	13.10
L1	2.95	3.00	3.05
P1	3.12	3.15	3.18
P2	3.25	3.30	3.35
F	3.20	3.30	3.40

 <p>WARNING! ESD SENSITIVE DEVICE</p>	<p>ESD</p>
---	------------

-
-
-
-
-
-
-

-